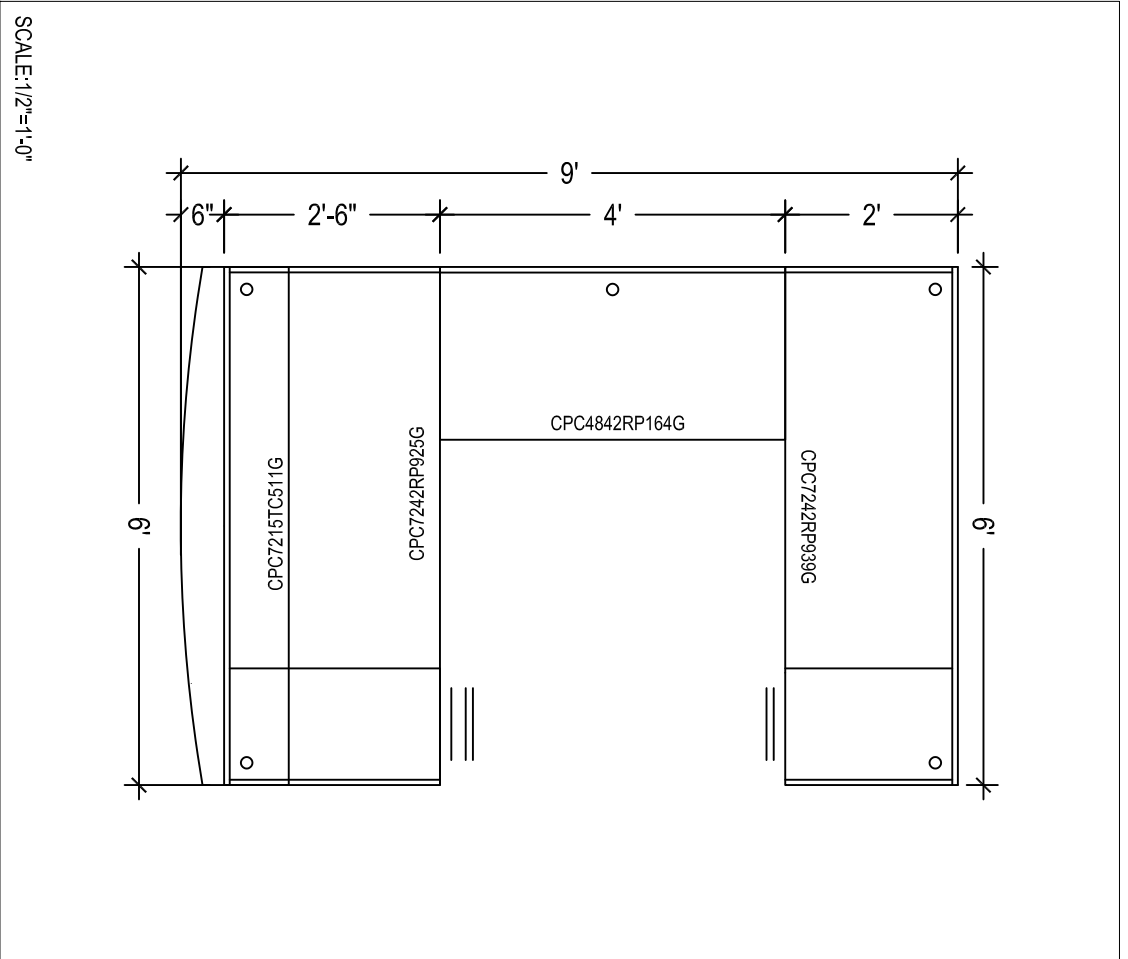
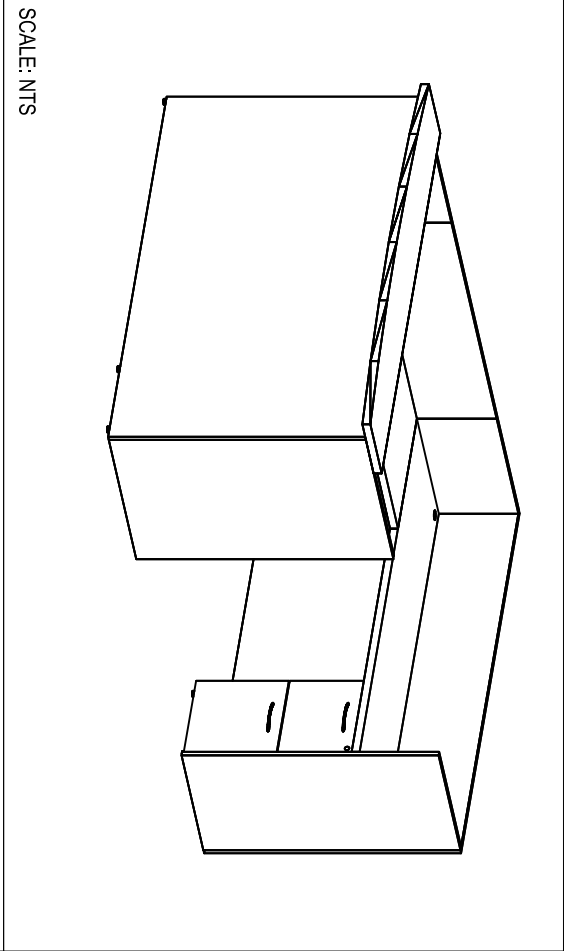


CENTRAL PARK DESKS AND WORKSTATIONS

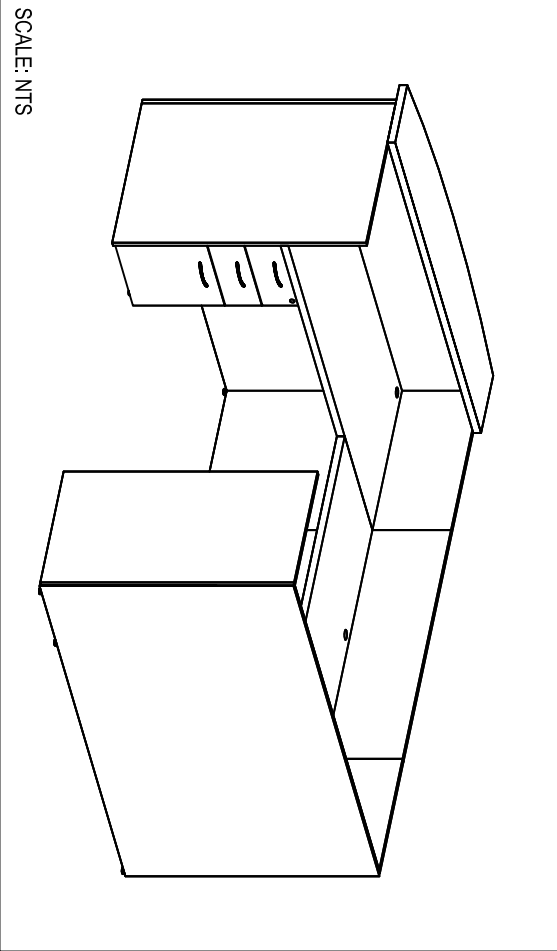
TYPICAL 36 - G



SCALE: 1/2"=1'-0"



SCALE: NTS



SCALE: NTS

DARRAN

DARRAN Furniture  
 P.O. Box 7614  
 High Point, NC 27264  
 Phone 336.861.2400 1.800.334.7891  
 Fax 336.861.5485 www.darran.com

This is a preliminary drawing subject to approval by manufacturing. Actual product may vary from drawing shown. DARRAN reserves the right to alter specifications and/or materials. It will be the responsibility of Dealer/Designer to: Do Field Measurements, Confirm All Product Will Fit Office Space. Also, To Confirm Product Quoted is Correct As To Configurations, Sizes, Design Etc.

Approval Signature: \_\_\_\_\_

Quote #: \_\_\_\_\_  
 Date: 11/01/2022  
 Revision #: \_\_\_\_\_  
 Revision date: \_\_\_\_\_  
 Product: CENTRAL PARK  
 Scale: AS SHOWN  
 Drawn By: \_\_\_\_\_