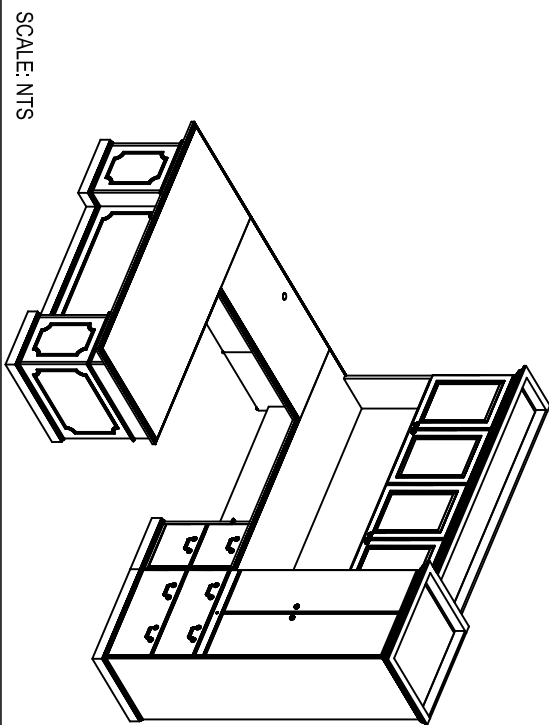
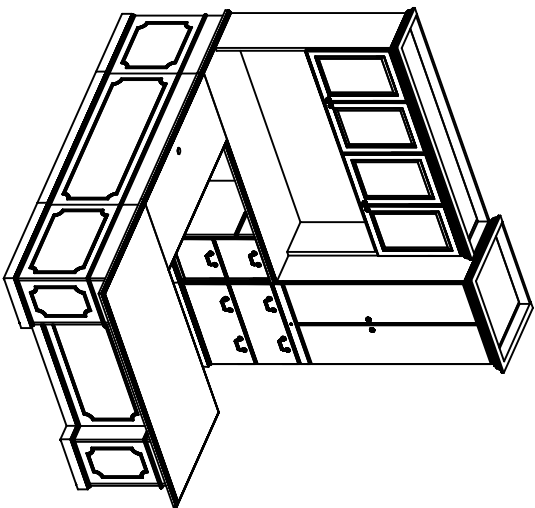


SCALE: 1/4"=1'-0"



SCALE: NTS



SCALE: NTS

DARRAN

DARRAN Furniture
 P.O. Box 7614
 High Point, NC 27264
 Phone 336.861.1240
 Fax 336.861.6485
 1.800.334.7891
 www.darran.com

This is a preliminary drawing subject to approval by manufacturing. Actual product may vary from drawing shown. DARRAN reserves the right to alter specifications and/or materials. It will be the responsibility of Dealer/Designer to Do Field Measurements, Confirm All Product Will Fit Office Space. Also, To Confirm Product Quoted is Correct As To Configurations, Sizes, Design Etc.

Approval Signature: _____

Quote #:
 Date: 11/01/2022
 Revision #:
 Revision date:
 Product: JAMESTOWN
 Scale: AS SHOWN
 Drawn By: