

D A R R A N

**Metamorphis Price List**  
Effective April 15, 2012



ENVI-UT / BAC GUARD SILVER™ ANTI-MICROBIAL FINISH





M E T A M O R P H I S    C O L L E C T I O N  
P R I C E   L I S T

D A R R A N



A percentage of all sales from  
Metamorphosis is donated to  
the common thread for the cure, a furnish-  
ings industry

The Metamorphosis Collection was created to allow the designer maximum flexibility in layout and design of the reception or open work environment. The group is composed on a wide variety of components that can be assembled in combination to meet your own unique requirements. Choose from an array of available options to enhance both function and appearance.

## Limited Lifetime Warranty

DARRAN Furniture Industries, Inc. ("DARRAN") warrants that each piece of furniture manufactured in its North Carolina facilities will be free from manufacturing defects and workmanship for as long as the original purchaser owns and uses the products.

DARRAN, at its discretion, will replace or repair with comparable product, free of charge to the customer, any product shown to be of normal care and use. This warranty is made to the original customer for as long as that customer owns and uses the product.

### LIMITATIONS: Use / Care

- Warranty is limited to normal single shift use.
- Warranty is limited to generally accepted care and maintenance of natural wood products and environments.

### LIMITATIONS: Materials / Components

- Laminates, Veneers/Finishes - 10 years
- Electrical lamps, ballasts, transformers - 5 years
- Fabrics, Pneumatic lifts, Foam - 5 years
- Custom/Modified products to customers specifications - 3 years

### WARRANTY EXCLUSIONS

- Damage identified as carrier or installer related.
- Normal wear and tear of wood products during course of ownership.
- Color, grain, or texture of natural wood materials, laminates and other covering materials.
- Damages or failures resulting from misuse, abuse, negligence, improper care, modifications, or relocation.
- Non Commercial use or locations.

All Warranty Claims are subject to Factory approved inspections. Disputes may involve independent 3rd party evaluation.

### LIFETIME COVERAGE

All components covered under DARRAN limited lifetime warranty includes repair / replacement labor for the 1st 5 years and component replacement including shipping after 5 years.

### QUALITY ASSURANCE

DARRAN manufactures in accordance with the standards set by the Architectural Woodwork Institute for Quality Standards. DARRAN maintains a staffed testing facility to ensure products manufactured meet BIFMA/ANSI performance standards.

Every unit produced at DARRAN is completely inspected by an independent quality control team located within each plant whose emphasis is on assembly, finish and final inspections with empowerment to stop any unit not meeting DARRAN's high quality standards.

### LIGHT AND NATURAL FINISHES

DARRAN carefully selects veneer and solids going into every product to ensure color and natural wood variations are within acceptable commercial AWI standards. Light and natural finishes inherently will greater reflect the natural grain and color variation found in hardwood veneers, solids and other core materials. Variations may be between components or unit to unit. DARRAN does not warrant color and grain variations associated with natural wood color and grain seen in any finish color.

### GLASS

Due to the risk of veneer damage and top warping, DARRAN does not recommend the use of heavy glass overlays on surfaces.

### GENERAL

Performance questions will be tested to generally accepted practices and AWI guidelines and standards for wood veneer furniture. There are no other warranties except as expressly set forth above either expressed or implied. To obtain performance of these Limited Warranties, the purchaser should contact in writing the authorized DARRAN representatives or current dealer who sold the product to the purchaser or mail the warranty claim to:

Warranty Department  
1-800-334-7891  
DARRAN Furniture Industries, Inc.  
P.O. Box 7614  
High Point, NC 27264

Metamorphis offers a new concept in reception furnishings. Configurations that once were available only as millwork custom orders can now be achieved using Metamorphis components and design options. Illustrated standard configurations can be customized by substituting various standard components or specifying your choice of design options.  
For assistance please contact Metamorphis customer service at **1-800-334-7891** or send e-mail to **sleach@darran.com**.

## Engineering

Metamorphis has been engineered as fully assembled components using screwless dowel joint construction and high-tech glues under pressure. This insures smooth work surfaces without visible brackets cleats or screws.

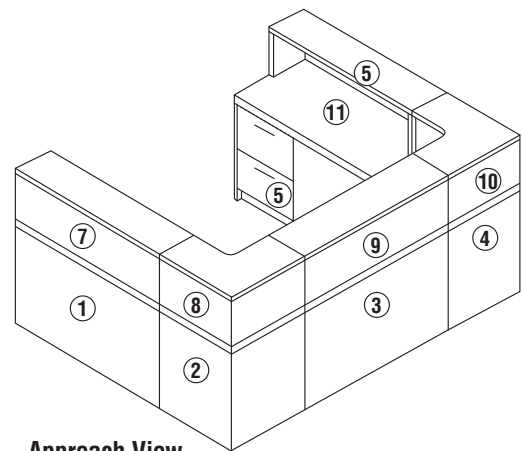
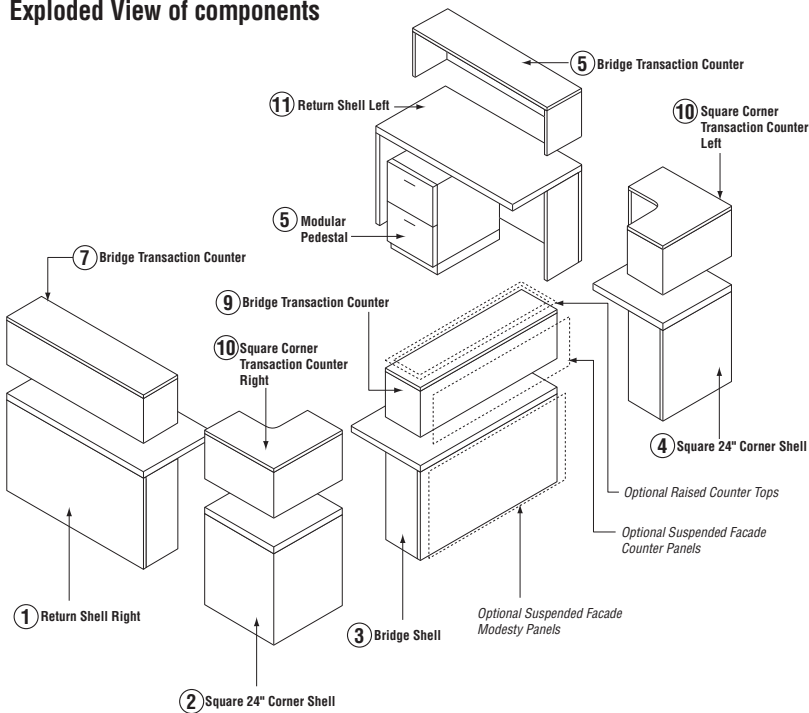
## Veneer Selections

Metamorphis plywood has been carefully specified with architectural grade quarter grain sliced veneers of northern maple and cherry species. These genuine hardwood veneers provide natural wood tones and characteristics not found in engineered techwoods sliced and dyed to resemble genuine hardwoods.  
For more specifications on architectural veneer grades consult the latest edition of the AWI Architectural Woodworking Institute.

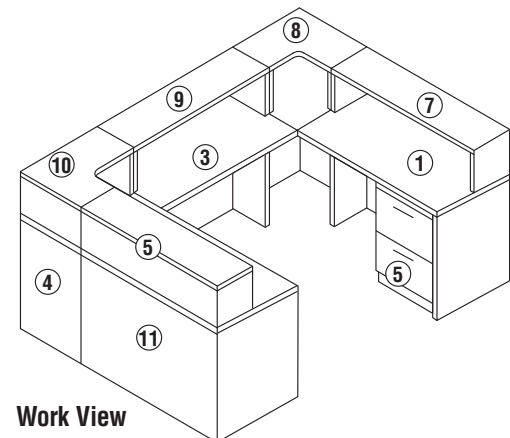
## Flexibility

Metamorphis consist of over thirty different components available in various sizes and heights that combine to create practically limitless configurations. The example shown below uses eleven components, and is only one possible design. See the typical configurations beginning on page 12.06 for other designs.

### Exploded View of components



Approach View



Work View

## Metamorphis Standard Top Edge Detail

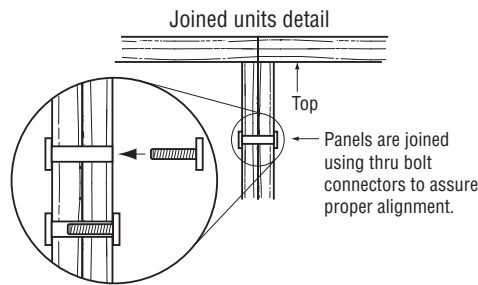
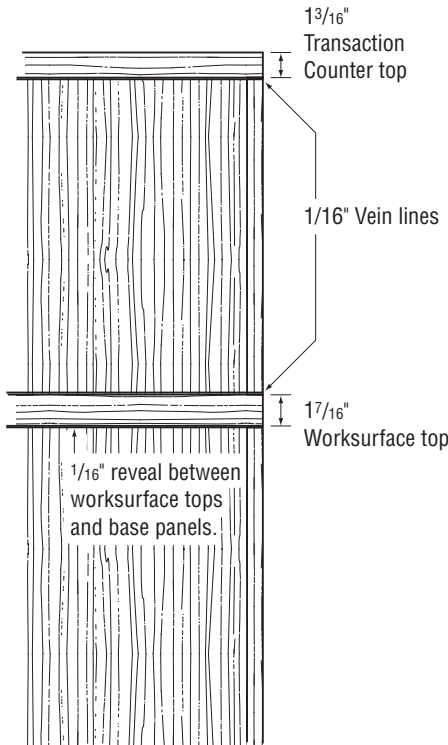
**Metamorphis Square worksurface tops** are 1<sup>7</sup>/<sub>16</sub>" thick, square edge.  
**Transaction tops** are 1<sup>3</sup>/<sub>16</sub>" thick, square edge.  
**Tower tops** are 1" thick, square edge.

### Edge Detail Prefix



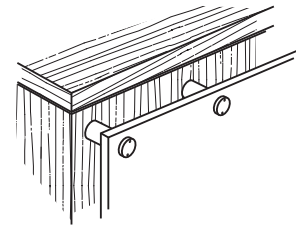
**MCS** = Metamorphis Square Edge

## Metamorphis Design Details



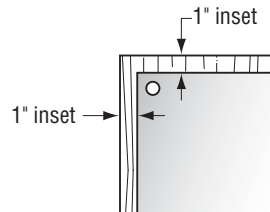
### End Panels

Each transaction end panel is 3/4" thick.  
 Each shell end panel is 1" thick.



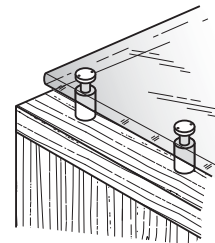
### Suspended Facades

Brushed nickel metal stand-offs suspend optional metal, perforated wood, exotic wood veneer, or custom panels in front of component as a design facade.



### Top View Raised Counter Top

Raised Counter Tops are inset 1" from wood top of component.



### Raised Counter Tops

Brushed nickel metal stand-offs suspend optional glass, wood veneer, solid surface or stone transaction counter top above wood top of component.

## Metamorphis Pedestals – Interior Drawer Dimensions

ITEM	DRAWER	INSIDE WIDTH	INSIDE DEPTH	INSIDE HEIGHT	FILING CAPABILITIES
<b>Modular Pedestal</b> box / box / file 16 <sup>1</sup> / <sub>4</sub> x 22 x 27 <sup>1</sup> / <sub>2</sub>	Box	12 <sup>3</sup> / <sub>4</sub>	18 <sup>3</sup> / <sub>4</sub>	3 <sup>1</sup> / <sub>2</sub>	Letter Filing Front to Back Letter Filing Front to Back Legal Filing Side to Side/Letter Filing Rear
	Box	12 <sup>3</sup> / <sub>4</sub>	18 <sup>3</sup> / <sub>4</sub>	3 <sup>1</sup> / <sub>2</sub>	
	File	12 <sup>3</sup> / <sub>4</sub>	18 <sup>3</sup> / <sub>4</sub>	9 <sup>1</sup> / <sub>4</sub>	
<b>Modular Pedestal</b> file / file 16 <sup>1</sup> / <sub>4</sub> x 22 x 27 <sup>1</sup> / <sub>2</sub>	File	12 <sup>3</sup> / <sub>4</sub>	18 <sup>3</sup> / <sub>4</sub>	9 <sup>1</sup> / <sub>4</sub>	Legal Filing Side to Side/Letter Filing Rear Legal Filing Side to Side/Letter Filing Rear
	File	12 <sup>3</sup> / <sub>4</sub>	18 <sup>3</sup> / <sub>4</sub>	9 <sup>1</sup> / <sub>4</sub>	
<b>Lateral File 2 Drawer</b> 29 x 22 x 27 <sup>1</sup> / <sub>2</sub> 35 x 22 x 27 <sup>1</sup> / <sub>2</sub>	Lateral File	25 <sup>1</sup> / <sub>2</sub>	15	9 <sup>1</sup> / <sub>4</sub>	Double Row Letter Front to Back Legal/Letter Combination Filing Legal Filing Side to Side
	Lateral File	31 <sup>1</sup> / <sub>2</sub>	15	9 <sup>1</sup> / <sub>4</sub>	
<b>2 Door Storage</b> 29 x 22 x 27 <sup>1</sup> / <sub>2</sub>					

**Wood Veneer Tops** are available on all units. Edges are 1/16" hardwood edge band.

**Veneers** on all exposed surfaces are architectural grade quarter sliced northern maple or cherry. All drawer fronts and doors are quarter sliced vertical grain.

**Shell End Panels** are 1" thick with 1/16" hardwood bands on edges and reinforced bottom to resist leveler tear out. Adjustable leveler are standard for unit leveling.

**Modesty Panels** are 3/4" thick, three ply MDF, double faced. Curved panels are 3/4" thick hot pressed 11 ply veneer core. Optional perforated wood and metal facade panels are available. See pages 12.25 and 12.26.

**Cabinet/Pedestal Construction** features tenoned pedestal joinery reinforced with hardwood cleats and metal brackets. Drawer units feature black finish interiors. Door units are fully veneered and finished.

**Locks** are standard on all drawer pedestals.

**Drawer Suspensions** are steel ball bearing suspensions and meet or exceed BIFMA standards. Box and file drawer suspensions are full extension.

**Drawers** are 7-ply hardwood plywood with U.V. finish for durability and smoothness. Drawer and Door fronts feature vertical grain veneer and are field replaceable. Joints are dowel joined and glued. Veneer drawer bottoms are glued in with file drawers reinforced with glue blocks for weight capacity.

**Assembly** of Metamorphis is performed by a team of five skilled craftsmen at our custom facility #4. This assures the finest quality and fit for every unit.

**Finish** features a 14 step process that includes Rel-Viron™ conversion varnish top coat. Rel-Viron™ conversion varnish is a U.L.® rated fire retardant finish. Units are finished as a whole, not K.D. Units that hook-up are finished together to ensure consistent blending. Standard finish is non-rubbed 40 sheen. All orders must specify name and suffix as listed below.

**Fire Retardant:** Underwriters Laboratory has listed Rel-Viron™ conversion varnish under section 40 U8.5.7 coating – general purpose as tested and rated as **resisting the spread of flame.**

**Vapor Free** installations are addressed due to a baked finish at 140°. Unlike lacquers, Rel-Viron™ varnish does not contribute to sick building syndrome.

---

## Standard Finishes with Wood Veneer Tops

**On Maple Veneers:** **WCM** = Clear Maple  
**WHM** = Honey Maple

**On Cherry Veneers:** **WMC** = Medium Cherry  
**WDC** = Dark Cherry  
**WSC** = Scotch Cherry  
**WNC** = Natural Cherry  
**WCC** = Clear Cherry

---

**\*NOTE:** Medium to dark finishes will exhibit more open grain appearance and surface scratches. Maple and cherry veneers and solids will exhibit variations in tone, character, and darkness inherent in the species. Maple and cherry veneers are photosensitive and will darken and enrich in color more rapidly than other veneers. These characteristics are part of maple and cherry's natural beauty.

**On top units,** some sections may give an appearance of being a different shade from the remainder of the veneer. This is known as veneer "flip" and is not considered an inconsistency in the material or workmanship, but is a common feature of a book matched veneer with a finish process which allows the grain and character of the wood to be seen through the finish. A common characteristic of cherry is the presence of pin knots and black gum spots in the veneer.

Genuine hardwood veneers reflect light and color tone variations due to the fiber hardness and grain angles. These natural wood characteristics are the signature of genuine hardwoods versus imitation laminates and techwoods. Walk around genuine hardwood furniture and appreciate the unique beauty that only comes from professionally finished hardwoods.

**Hand rubbed mirror finish tops are not recommended for highly work intensive environments. The use of desk pads is recommended to protect the high luster of the finish.**

---

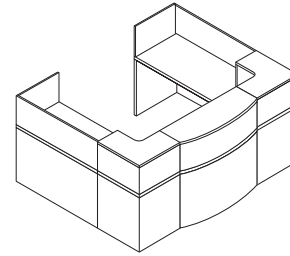
## Important Ordering Information

Specify pull selection. See page 12.29 for details.

## How to Specify

Specifying a Metamorphis configuration is easy.

- A. Review the typical configurations shown in this price list and select one that best suits your needs. Specify the reference number for the typical.



- B. To modify the typical refer to the components column to identify specific components used in the typical.

TOP VIEW	ILLUSTRATION	COMPONENTS	DIMENSIONS WIDTH x DEPTH x HEIGHT	LIST PRICE										
				ZONE 1	ZONE 2	ZONE 3								
<p><b>Typical 4</b></p> <table border="1"> <tr> <th>Item # / finish</th> <th>dimensions</th> </tr> <tr> <td>MCS004A</td> <td>96 x 76 x 44</td> </tr> <tr> <td>MCS004B</td> <td>108 x 77 x 44</td> </tr> <tr> <td>MCS004C</td> <td>120 x 78 x 44</td> </tr> </table>	Item # / finish	dimensions	MCS004A	96 x 76 x 44	MCS004B	108 x 77 x 44	MCS004C	120 x 78 x 44		<ul style="list-style-type: none"> <li>Return Shells left &amp; right</li> <li>Square 24" Corner Shells</li> <li>Curved Bridge Shell</li> <li>Return Privacy Panel left &amp; right</li> <li>Square Corner Transaction Counter left &amp; right - 15" high</li> <li>Curved Bridge Transaction Counter - 15" high</li> </ul>	<p>A- 96 x 76 x 44</p> <p>B- 108 x 77 x 44</p> <p>C- 120 x 78 x 44</p>	0	0	0
Item # / finish	dimensions													
MCS004A	96 x 76 x 44													
MCS004B	108 x 77 x 44													
MCS004C	120 x 78 x 44													

- C. Reference the component section for available size variations for the components used. Refer to the options section and list any options you would like included.

Metamorphis Collection – Components			
Base (Floor) Units			
ILLUSTRATION	DIMENSIONS WIDTH x DEPTH x HEIGHT	TOP VIEW	APPLICATIONS
<b>Return Shells</b>			
<p>Return Shell Left Transaction</p>	48 x 24 x 20		<p>Return Shell Right Transaction</p> <p>All component transactions are referenced from your site.</p>
<p>Return Shell Right Transaction</p>	60 x 24 x 20		
<p>Return Shell ADA Accessible Right Transaction</p>	72 x 24 x 20		
<b>Return Shells ADA Accessible</b>			
<p>Return Shell ADA Accessible Left Transaction</p>	48 x 24 x 20		<p>Return Shell ADA Accessible Right Transaction</p> <p>ADA Compliance: 15" Approach, ADA Clearance, Side View Approach</p>
<p>Return Shell ADA Accessible Right Transaction</p>	60 x 24 x 20		
<p>Return Shell ADA Accessible Right Transaction</p>	72 x 24 x 20		

- D. Contact Metamorphis Customer Service at **1-800-334-7891** and refer to the Style number for the typical configuration. Advise Customer Service of any component changes and options to be added. Specify wood veneer, finish and any option add-ons. Dar•Ran does the rest.

You will receive a specification sheet consisting of:

- Confirmation of changes
- Footprint and illustration of revised configuration
- Listing of options specified
- Listing of wood veneer and finish specified
- Total price of configuration and options

**To Order** sign a copy of the specification sheet as correct and attach your purchase order.

**Lead Times** for standard typical configurations are 8 to 10 weeks. For custom design facades (see options pages 12.23 to 12.26) allow 10 to 12 weeks.

# Metamorphis Collection – Typicals

Effective: 06-01-01

## “U” Reception Configurations

The typicals below feature selected components from pages 12.12 to 12.22. To modify component sizes or configurations please refer to these pages. Options: Design enhancements may be added as facades to counter tops, tower tops, counter modesties and shell modesties. Please refer to Options Section on pages 12.23 to 12.28.

TOP VIEW	ILLUSTRATION	COMPONENTS	DIMENSIONS WIDTH x DEPTH x HEIGHT	LIST PRICE										
				ZONE 1	ZONE 2	ZONE 3								
<p><b>Typical 1</b></p> <table border="1"> <tr> <th>Item # / finish</th> <th>dimensions</th> </tr> <tr> <td>MCS001A_ _ _</td> <td>104 x 100 x 44</td> </tr> <tr> <td>MCS001B_ _ _</td> <td>118 x 101 x 44</td> </tr> <tr> <td>MCS001C_ _ _</td> <td>132 x 102 x 44</td> </tr> </table>	Item # / finish	dimensions	MCS001A_ _ _	104 x 100 x 44	MCS001B_ _ _	118 x 101 x 44	MCS001C_ _ _	132 x 102 x 44	<p>Height: 44"</p>	<p>Curved Bridge Shells</p> <p>Quarter Round 24" Corners Shells</p> <p>Quarter Round Corner Transaction Counters - 15" high</p> <p>Curved Bridge Transaction Counters - 15" high</p> <p><input type="checkbox"/> OPTIONAL: See pages 12.23 – 12.26</p> <p>Curved Glass Counter</p> <p>Perforated Metal Counter Facade</p> <p>Perforated Metal Modesty Facade</p>	<p>A- 104 x 100 x 44</p> <p>B- 118 x 101 x 44</p> <p>C- 132 x 102 x 44</p>	<div style="border: 1px solid black; padding: 5px; display: inline-block;">Contact Customer Service For Pricing</div>		
Item # / finish	dimensions													
MCS001A_ _ _	104 x 100 x 44													
MCS001B_ _ _	118 x 101 x 44													
MCS001C_ _ _	132 x 102 x 44													
<p><b>Typical 2</b></p> <table border="1"> <tr> <th>Item # / finish</th> <th>dimensions</th> </tr> <tr> <td>MCS002A_ _ _</td> <td>96 x 72 x 44</td> </tr> </table>	Item # / finish	dimensions	MCS002A_ _ _	96 x 72 x 44	<p>Height: 44"</p>	<p>Curved 48" Corner Shells</p> <p>Quarter Round 24" Corners Shells</p> <p>Curved Corner Transaction Counters – 48" - 15" high</p> <p>Quarter Round Corner Transaction Counters - 15" high</p>	<p>A- 96 x 72 x 44</p>	<div style="border: 1px solid black; padding: 5px; display: inline-block;">Contact Customer Service For Pricing</div>						
Item # / finish	dimensions													
MCS002A_ _ _	96 x 72 x 44													
<p><b>Typical 3</b></p> <table border="1"> <tr> <th>Item # / finish</th> <th>dimensions</th> </tr> <tr> <td>MCS003A_ _ _</td> <td>96 x 96 x 44</td> </tr> </table>	Item # / finish	dimensions	MCS003A_ _ _	96 x 96 x 44	<p>Height: 44"</p>	<p>Curved 48" Corner Shells</p> <p>Curved Corner Transaction Counters – 48" - 15" high</p> <p>Note: Full end panel on outside corner shells</p>	<p>A- 96 x 96 x 44</p>	<div style="border: 1px solid black; padding: 5px; display: inline-block;">Contact Customer Service For Pricing</div>						
Item # / finish	dimensions													
MCS003A_ _ _	96 x 96 x 44													

## “U” Reception Configurations

The typicals below feature selected components from pages 12.12 to 12.22. To modify component sizes or configurations please refer to these pages. Options: Design enhancements may be added as facades to counter tops, tower tops, counter modesties and shell modesties. Please refer to Options Section on pages 12.23 to 12.28.

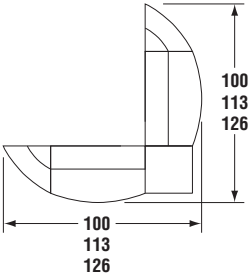
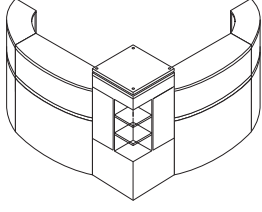
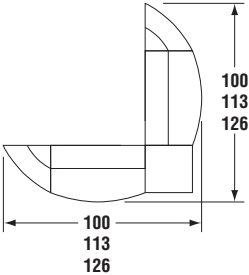
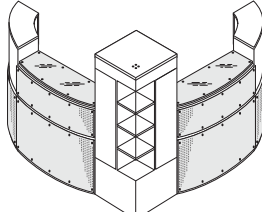
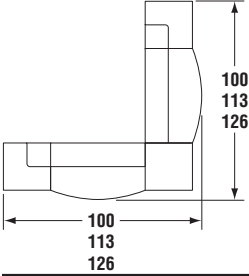
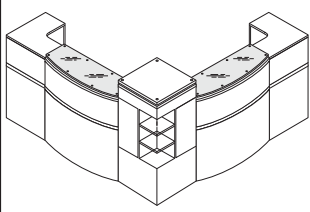
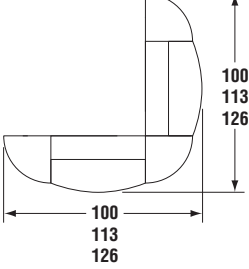
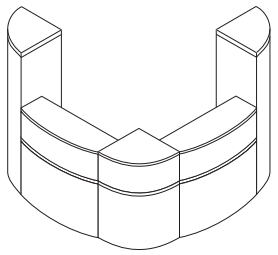
TOP VIEW	ILLUSTRATION	COMPONENTS	DIMENSIONS WIDTH x DEPTH x HEIGHT	LIST PRICE										
				ZONE 1	ZONE 2	ZONE 3								
<p><b>Typical 4</b></p> <table border="1"> <tr> <th>Item # / finish</th> <th>dimensions</th> </tr> <tr> <td>MCS004A</td> <td>96 x 76 x 44</td> </tr> <tr> <td>MCS004B</td> <td>108 x 77 x 44</td> </tr> <tr> <td>MCS004C</td> <td>120 x 78 x 44</td> </tr> </table>	Item # / finish	dimensions	MCS004A	96 x 76 x 44	MCS004B	108 x 77 x 44	MCS004C	120 x 78 x 44	<p>Height: 44"</p>	<p>Return Shells left &amp; right</p> <p>Square 24" Corner Shells</p> <p>Curved Bridge Shell</p> <p>Return Privacy Panel left &amp; right</p> <p>Square Corner Transaction Counter left &amp; right - 15" high</p> <p>Curved Bridge Transaction Counter - 15" high</p>	<p>A- 96 x 76 x 44</p> <p>B- 108 x 77 x 44</p> <p>C- 120 x 78 x 44</p>	<div style="border: 1px solid black; padding: 5px; display: inline-block;">Contact Customer Service For Pricing</div>		
Item # / finish	dimensions													
MCS004A	96 x 76 x 44													
MCS004B	108 x 77 x 44													
MCS004C	120 x 78 x 44													
<p><b>Typical 5</b></p> <table border="1"> <tr> <th>Item # / finish</th> <th>dimensions</th> </tr> <tr> <td>MCS005A</td> <td>96 x 100 x 44</td> </tr> <tr> <td>MCS005B</td> <td>108 x 101 x 44</td> </tr> <tr> <td>MCS005C</td> <td>120 x 102 x 44</td> </tr> </table>	Item # / finish	dimensions	MCS005A	96 x 100 x 44	MCS005B	108 x 101 x 44	MCS005C	120 x 102 x 44	<p>Height: 44"</p>	<p>Quarter Round 24" Corner Shells</p> <p>Bridge Shells</p> <p>Curved Bridge Shell</p> <p>Quarter Round Corner Transaction Counters - 15" high</p> <p>Bridge Privacy Panel 13 3/4" h</p> <p>Curved Bridge Transaction Counter - 15" high</p> <p><input type="checkbox"/> OPTIONAL: See pages 12.23 – 12.26 Glass Counters Perforated Metal Counter Facade Perforated Metal Modesty Facade</p>	<p>A- 96 x 100 x 44</p> <p>B- 108 x 101 x 44</p> <p>C- 120 x 102 x 44</p>	<div style="border: 1px solid black; padding: 5px; display: inline-block;">Contact Customer Service For Pricing</div>		
Item # / finish	dimensions													
MCS005A	96 x 100 x 44													
MCS005B	108 x 101 x 44													
MCS005C	120 x 102 x 44													
<p><b>Typical 6</b></p> <table border="1"> <tr> <th>Item # / finish</th> <th>dimensions</th> </tr> <tr> <td>MCS006A</td> <td>96 x 100 x 44/72</td> </tr> <tr> <td>MCS006B</td> <td>108 x 101 x 44/72</td> </tr> <tr> <td>MCS006C</td> <td>120 x 102 x 44/72</td> </tr> </table>	Item # / finish	dimensions	MCS006A	96 x 100 x 44/72	MCS006B	108 x 101 x 44/72	MCS006C	120 x 102 x 44/72	<p>ADA Accessible Height: Counters 44" Towers 72"</p>	<p>Curved Bridge Shell</p> <p>Quarter Round Towers</p> <p>Bridge Shell Right – ADA</p> <p>Bridge Shell Left</p> <p>Square 24" Corner Shells</p> <p>Square Corner Transaction Counters - 15" high</p> <p>Curved Bridge Transaction Counter - 15" high</p> <p>Bridge Transaction Counter - 15" high</p>	<p>A- 96 x 100 x 44/72</p> <p>B- 108 x 101 x 44/72</p> <p>C- 120 x 102 x 44/72</p>	<div style="border: 1px solid black; padding: 5px; display: inline-block;">Contact Customer Service For Pricing</div>		
Item # / finish	dimensions													
MCS006A	96 x 100 x 44/72													
MCS006B	108 x 101 x 44/72													
MCS006C	120 x 102 x 44/72													
<p><b>Typical 7</b></p> <table border="1"> <tr> <th>Item # / finish</th> <th>dimensions</th> </tr> <tr> <td>MCS007A</td> <td>100 x 100 x 44/53</td> </tr> <tr> <td>MCS007B</td> <td>113 x 113 x 44/53</td> </tr> <tr> <td>MCS007C</td> <td>126 x 126 x 44/53</td> </tr> </table>	Item # / finish	dimensions	MCS007A	100 x 100 x 44/53	MCS007B	113 x 113 x 44/53	MCS007C	126 x 126 x 44/53	<p>Height: Counters 44" Towers 53"</p>	<p>53" Display Corner Towers</p> <p>Curved Bridge Shells</p> <p>Quarter Round 24" Corner Shell</p> <p>Curved Bridge Transaction Counters - 15" high</p> <p>Quarter Round Corner Transaction Counter - 15" high</p>	<p>A- 100 x 100 x 44/53</p> <p>B- 113 x 113 x 44/53</p> <p>C- 126 x 126 x 44/53</p>	<div style="border: 1px solid black; padding: 5px; display: inline-block;">Contact Customer Service For Pricing</div>		
Item # / finish	dimensions													
MCS007A	100 x 100 x 44/53													
MCS007B	113 x 113 x 44/53													
MCS007C	126 x 126 x 44/53													

# Metamorphis Collection – Typical

Effective: 06-01-01

## Curved “L” Reception Configurations

The typicals below feature selected components from pages 12.12 to 12.22. To modify component sizes or configurations please refer to these pages. Options: Design enhancements may be added as facades to counter tops, tower tops, counter modesties and shell modesties. Please refer to Options Section on pages 12.23 to 12.28.

TOP VIEW	ILLUSTRATION	COMPONENTS	DIMENSIONS WIDTH x DEPTH x HEIGHT	LIST PRICE		
				ZONE 1	ZONE 2	ZONE 3
<p><b>Typical 8</b></p> <p>Item # / finish dimensions</p> <p>MCS008A ___ 100 x 100 x 44/53</p> <p>MCS008B ___ 113 x 113 x 44/53</p> <p>MCS008C ___ 126 x 126 x 44/53</p> 	 <p>Height: Counters 44" Tower 53"</p>	<p>Display Corner Tower</p> <p>Curved Bridge Shells</p> <p>Elliptical 24" Corner Shells</p> <p>Elliptical Corner Transaction Counters - 15" high</p> <p>Curved Bridge Transaction Counters - 15" high</p>	<p>A- 100 x 100 x 44/53</p> <p>B- 113 x 113 x 44/53</p> <p>C- 126 x 126 x 44/53</p>	<div style="border: 1px solid black; padding: 5px; width: fit-content; margin: auto;">Contact Customer Service For Pricing</div>		
<p><b>Typical 9</b></p> <p>Item # / finish dimensions</p> <p>MCS009A ___ 100x100x44/53/72</p> <p>MCS009B ___ 113x113x44/53/72</p> <p>MCS009C ___ 126x126x44/53/72</p> 	<p>Featured in Brochure with custom Moz Metal Facades and Glass Counters.</p>  <p>Height: Counters 44" and 53" Tower 72"</p>	<p>Display Corner Tower</p> <p>Curved Bridge Shells</p> <p>Elliptical 24" Corner Shells</p> <p>Curved Bridge Transaction Counters - 15" high</p> <p>Elliptical Corner Transaction Counters - 24" high</p> <p><input type="checkbox"/> OPTIONAL: See pages 12.23 – 12.26</p> <p>Curved Glass Counter Tops</p> <p>Perforated Metal Facades</p>	<p>A- 100 x 100 x 44/53/72</p> <p>B- 113 x 113 x 44/53/72</p> <p>C- 126 x 126 x 44/53/72</p>	<div style="border: 1px solid black; padding: 5px; width: fit-content; margin: auto;">Contact Customer Service For Pricing</div>		
<p><b>Typical 10</b></p> <p>Item # / finish dimensions</p> <p>MCS010A ___ 100 x 100 x 44/53</p> <p>MCS010B ___ 113 x 113 x 44/53</p> <p>MCS010C ___ 126 x 126 x 44/53</p> 	 <p>Height: Counters 44" Tower 53"</p>	<p>Display Corner Tower</p> <p>Curved Bridge Shells</p> <p>Square 24" Corner Shells</p> <p>Curved Bridge Transaction Counters - 15" high</p> <p>Square Corner Transaction Counters - 15" high</p> <p><input type="checkbox"/> OPTIONAL: See pages 12.23 – 12.26</p> <p>Curved Glass Counter Tops</p>	<p>A- 100 x 100 x 44/53</p> <p>B- 113 x 113 x 44/53</p> <p>C- 126 x 126 x 44/53</p>	<div style="border: 1px solid black; padding: 5px; width: fit-content; margin: auto;">Contact Customer Service For Pricing</div>		
<p><b>Typical 11</b></p> <p>Item # / finish dimensions</p> <p>MCS011A ___ 100 x 100 x 44/72</p> <p>MCS011B ___ 113 x 113 x 44/72</p> <p>MCS011C ___ 126 x 126 x 44/72</p> 	 <p>Height: Counters 44" Towers 72"</p>	<p>Quarter Round 24" Corner Shell</p> <p>Curved Bridge Shells</p> <p>Quarter Round Towers</p> <p>Quarter Round Transaction Counters - 15" high</p> <p>Curved Bridge Transaction Counters - 15" high</p>	<p>A- 100 x 100 x 44/72</p> <p>B- 113 x 113 x 44/72</p> <p>C- 126 x 126 x 44/72</p>	<div style="border: 1px solid black; padding: 5px; width: fit-content; margin: auto;">Contact Customer Service For Pricing</div>		

## “L” Reception Configurations

The typicals below feature selected components from pages 12.12 to 12.22. To modify component sizes or configurations please refer to these pages. Options: Design enhancements may be added as facades to counter tops, tower tops, counter modesties and shell modesties. Please refer to Options Section on pages 12.23 to 12.28.

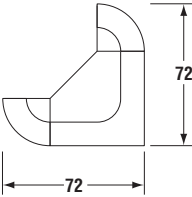
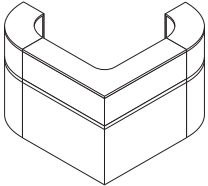
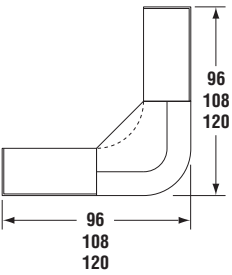
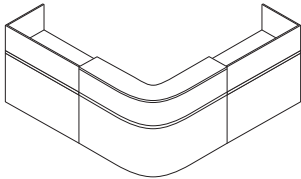
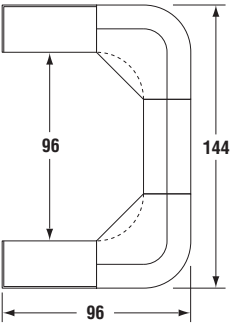
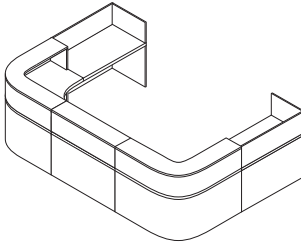
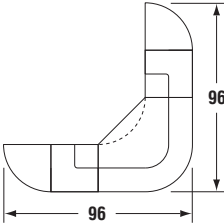
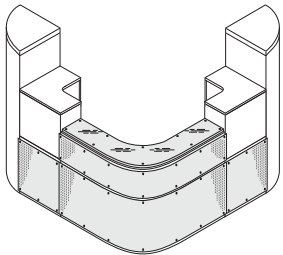
TOP VIEW	ILLUSTRATION	COMPONENTS	DIMENSIONS WIDTH x DEPTH x HEIGHT	LIST PRICE										
				ZONE 1	ZONE 2	ZONE 3								
<p><b>Typical 12</b></p> <table border="1"> <tr> <th>Item # / finish</th> <th>dimensions</th> </tr> <tr> <td>MCS012A_ _ _</td> <td>96 x 72 x 44</td> </tr> <tr> <td>MCS012B_ _ _</td> <td>108 x 84 x 44</td> </tr> <tr> <td>MCS012C_ _ _</td> <td>120 x 96 x 44</td> </tr> </table>	Item # / finish	dimensions	MCS012A_ _ _	96 x 72 x 44	MCS012B_ _ _	108 x 84 x 44	MCS012C_ _ _	120 x 96 x 44	<p>Height: Counters 44"</p>	<p>Square 24" Corner Shells</p> <p>Bridge Shell</p> <p>Return Shell</p> <p>Square Corner Transaction Counters - 15" high</p> <p>Bridge Transaction Counter - 15" high</p> <p>Return Privacy Panel 13<sup>3</sup>/<sub>4</sub>"h</p>	<p>A- 96 x 72 x 44</p> <p>B- 108 x 84 x 44</p> <p>C- 120 x 96 x 44</p>	<div style="border: 1px solid black; padding: 5px; display: inline-block;">Contact Customer Service For Pricing</div>		
Item # / finish	dimensions													
MCS012A_ _ _	96 x 72 x 44													
MCS012B_ _ _	108 x 84 x 44													
MCS012C_ _ _	120 x 96 x 44													
<p><b>Typical 13</b></p> <table border="1"> <tr> <th>Item # / finish</th> <th>dimensions</th> </tr> <tr> <td>MCS013A_ _ _</td> <td>96 x 96 x 44</td> </tr> <tr> <td>MCS013B_ _ _</td> <td>108 x 108 x 44</td> </tr> <tr> <td>MCS013C_ _ _</td> <td>120 x 120 x 44</td> </tr> </table>	Item # / finish	dimensions	MCS013A_ _ _	96 x 96 x 44	MCS013B_ _ _	108 x 108 x 44	MCS013C_ _ _	120 x 120 x 44	<p>Height: Counters 44"</p>	<p>Quarter Round 24" Corner Shells</p> <p>Bridge Shells</p> <p>Quarter Round Corner Transaction Counters - 15" high</p> <p>Bridge Transaction Counters - 15" high</p> <p><input type="checkbox"/> OPTIONAL: See pages 12.23 – 12.26 (3) Quarter Round Glass Counter Tops</p> <p>(2) Bridge Glass Counter Tops</p>	<p>A- 96 x 96 x 44</p> <p>B- 108 x 108 x 44</p> <p>C- 120 x 120 x 44</p>	<div style="border: 1px solid black; padding: 5px; display: inline-block;">Contact Customer Service For Pricing</div>		
Item # / finish	dimensions													
MCS013A_ _ _	96 x 96 x 44													
MCS013B_ _ _	108 x 108 x 44													
MCS013C_ _ _	120 x 120 x 44													
<p><b>Typical 14</b></p> <table border="1"> <tr> <th>Item # / finish</th> <th>dimensions</th> </tr> <tr> <td>MCS014A_ _ _</td> <td>72 x 72 x 44</td> </tr> <tr> <td>MCS014B_ _ _</td> <td>84 x 84 x 44</td> </tr> <tr> <td>MCS014C_ _ _</td> <td>96 x 96 x 44</td> </tr> </table>	Item # / finish	dimensions	MCS014A_ _ _	72 x 72 x 44	MCS014B_ _ _	84 x 84 x 44	MCS014C_ _ _	96 x 96 x 44	<p>Height: Counters 44"</p>	<p>Quarter Round 24" Corner Shells</p> <p>Return Shells</p> <p>Quarter Round Corner Transaction Counter - 15" high</p> <p>Return Privacy Panels 13<sup>3</sup>/<sub>4</sub>"h</p>	<p>A- 72 x 72 x 44</p> <p>B- 84 x 84 x 44</p> <p>C- 96 x 96 x 44</p>	<div style="border: 1px solid black; padding: 5px; display: inline-block;">Contact Customer Service For Pricing</div>		
Item # / finish	dimensions													
MCS014A_ _ _	72 x 72 x 44													
MCS014B_ _ _	84 x 84 x 44													
MCS014C_ _ _	96 x 96 x 44													
<p><b>Typical 15</b></p> <table border="1"> <tr> <th>Item # / finish</th> <th>dimensions</th> </tr> <tr> <td>MCS015A_ _ _</td> <td>144 x 144 x 53/84</td> </tr> <tr> <td>MCS015B_ _ _</td> <td>168 x 168 x 53/84</td> </tr> <tr> <td>MCS015C_ _ _</td> <td>192 x 192 x 53/84</td> </tr> </table>	Item # / finish	dimensions	MCS015A_ _ _	144 x 144 x 53/84	MCS015B_ _ _	168 x 168 x 53/84	MCS015C_ _ _	192 x 192 x 53/84	<p>Height: Counters 53" Towers 84"</p>	<p>Quarter Round Towers</p> <p>Bridge Shells</p> <p>Bridge Transaction Counters - 24" high</p>	<p>A- 144 x 144 x 53/84</p> <p>B- 168 x 168 x 53/84</p> <p>C- 192 x 192 x 53/84</p>	<div style="border: 1px solid black; padding: 5px; display: inline-block;">Contact Customer Service For Pricing</div>		
Item # / finish	dimensions													
MCS015A_ _ _	144 x 144 x 53/84													
MCS015B_ _ _	168 x 168 x 53/84													
MCS015C_ _ _	192 x 192 x 53/84													

# Metamorphis Collection – Typical

Effective: 06-01-01

## 45° / Task Corner Reception Configurations

The typicals below feature selected components from pages 12.12 to 12.22. To modify component sizes or configurations please refer to these pages. Options: Design enhancements may be added as facades to counter tops, tower tops, counter modesties and shell modesties. Please refer to Options Section on pages 12.23 to 12.28.

TOP VIEW	ILLUSTRATION	COMPONENTS	DIMENSIONS WIDTH x DEPTH x HEIGHT	LIST PRICE		
				ZONE 1	ZONE 2	ZONE 3
<p><b>Typical 16</b> Item # / finish dimensions MCS016A_ _ _ 72 x 72 x 44</p> 	 <p>Height: Counters 44"</p>	<p>Square 48" Corner Shell Quarter Round 24" Corner Shells Square Corner Transaction Counter - 15" high Quarter Round Corner Transaction Counters - 15" high</p>	A- 72 x 72 x 44	Contact Customer Service For Pricing		
<p><b>Typical 17</b> Item # / finish dimensions MCS017A_ _ _ 96 x 96 x 44 MCS017B_ _ _ 108 x 108 x 44 MCS017C_ _ _ 120 x 120 x 44</p> 	 <p>Height: Counters 44"</p>	<p>Curved 48" Corner Shell Return Shells Curved Corner Transaction Counter - 15" high Return Privacy Panels - 13 3/4"</p>	A- 96 x 96 x 44 B- 108 x 108 x 44 C- 120 x 120 x 44	Contact Customer Service For Pricing		
<p><b>Typical 18</b> Item # / finish dimensions MCS018A_ _ _ 144 x 96 x 44</p> 	 <p>Height: Counters 44"</p>	<p>Curved 48" Corner Shell Bridge Shell Return Shells Curved Corner Transaction Counter - 15" high Bridge Transaction Counter - 15" high Return Privacy Panels - 13 3/4"</p>	A- 144 x 96 x 44	Contact Customer Service For Pricing		
<p><b>Typical 19</b> Item # / finish dimensions MCS019A_ _ _ 96 x 96 x 72/53/44</p> 	 <p>Height: Counters 53" and 44" Towers 72"</p>	<p>Curved 48" Corner Shell Square 24" Corner Shells Quarter Round Towers 72" Curved Corner Transaction Counter - 15" high Square Corner Transaction Counter - 24" high</p> <p><input type="checkbox"/> OPTIONAL: See pages 12.23 – 12.26 Curved Glass Counter Curved perforated Metal Counter Facade Curved perforated Metal Modesty Facade</p>	A- 96 x 96 x 72/53/44	Contact Customer Service For Pricing		

## Customizing a typical configuration

The following section lists all Metamorphis components available. Choose a typical configuration from the typical section as a starting point and review the following section to customize your chosen typical. Select components to substitute and specify the following:

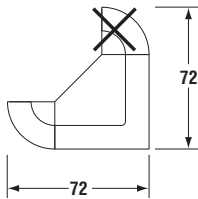
- Specify typical by number.
- List the standard typical component(s) to be deleted (if any). (Reference component location from user’s side.)
- List the new typical component(s) to be added (if any).
- Submit a plan drawing illustrating the desired configuration.
- Contact Metamorphis customer service for assistance or to review your order.

## Example

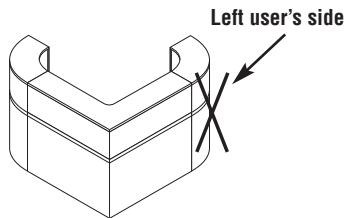
In the example below we begin with typical 16.

To customize we delete one Quarter Round 24" Corner Shell left and one Quarter Round Transaction Counter left. (Left – user’s side)

We then substitute the deleted item with 1 Quarter Round Tower 72" h left. (Left – user’s side)



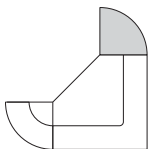
Typical 16



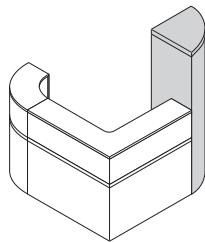
Typical 16

Delete: 1 Quarter Round 24" Corner Shell (Left – user’s side)

Delete: 1 Quarter Round Transaction Counter (Left – user’s side)

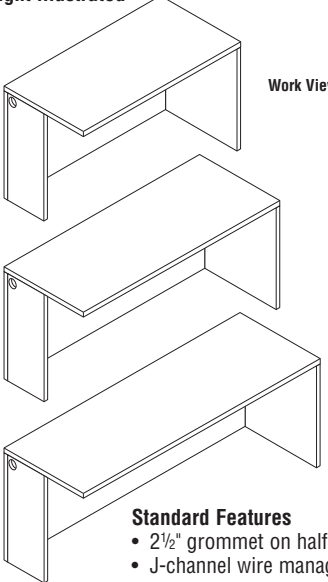
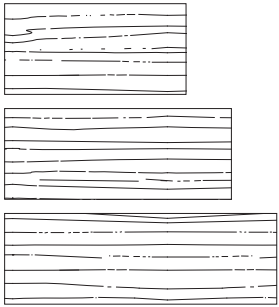
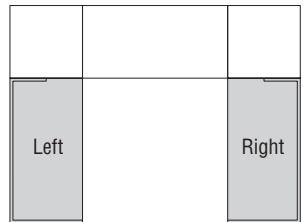
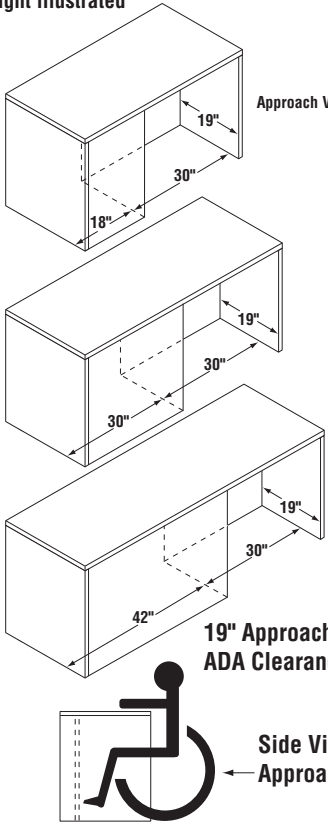
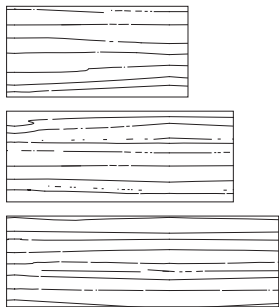
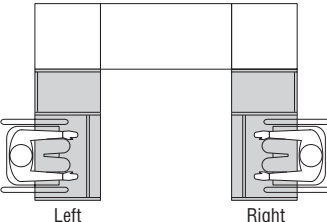



**New Plan Drawing illustrating desired configuration.**  
**Items shaded in grey denote substituted components.**

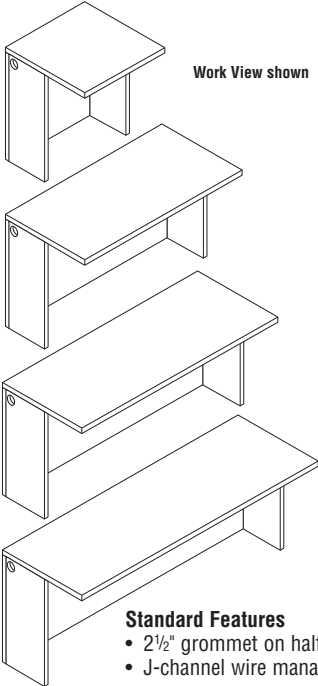
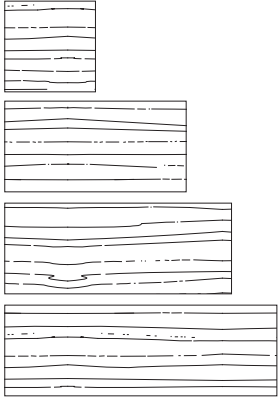
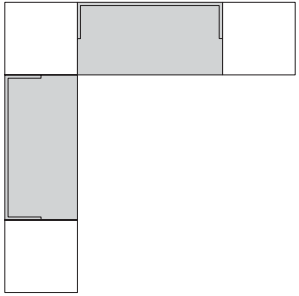
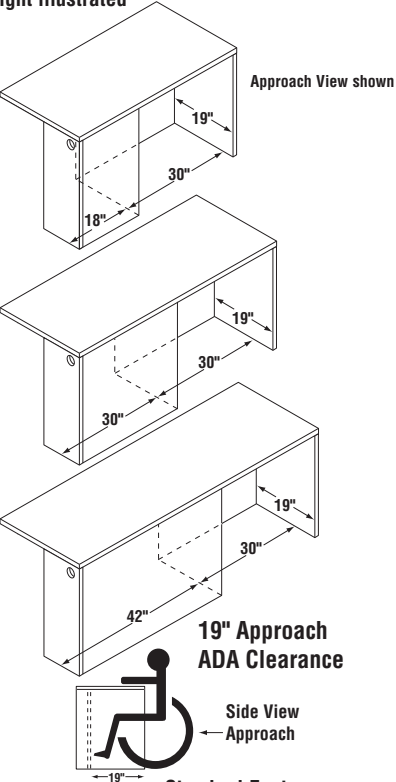
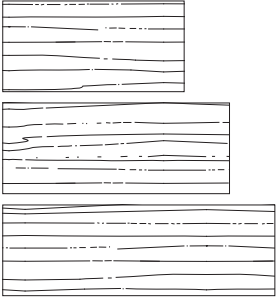
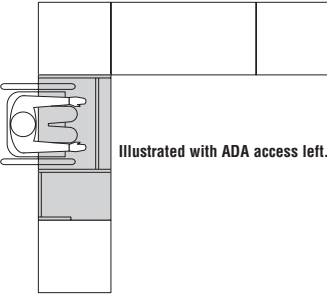



■ Substitute: 1 Quarter Round Tower 72" h (Left – user’s side)

## Base (Floor) Units

ILLUSTRATION	DIMENSIONS WIDTH x DEPTH x HEIGHT	TOP VIEW	APPLICATIONS
<b>Return Shells</b>			
<p><b>Return Shells right illustrated</b></p>  <p>Work View shown</p> <p><b>Standard Features</b></p> <ul style="list-style-type: none"> <li>• 2½" grommet on half end</li> <li>• J-channel wire management</li> </ul> <p>Right hook-up shown, also available as left hook-up. Must specify left or right hook-up.</p>	<p>48 x 24 x 29</p> <p>60 x 24 x 29</p> <p>72 x 24 x 29</p>		 <p><b>All component locations are referenced from user side.</b></p>
<p><b>Return Shells ADA Accessible right illustrated</b></p>  <p>Approach View shown</p> <p><b>19" Approach ADA Clearance</b></p> <p>Side View Approach</p> <p>Must specify left or right hook-up. Must specify ADA access as left or right.</p> <p>Specify modular pedestal under open user's side.</p>	<p>48 x 24 x 29</p> <p>60 x 24 x 29</p> <p>72 x 24 x 29</p>		 <p>Left</p> <p>Right</p> <p>Illustrated as left return shell with ADA access right.</p> <p>Illustrated as right return shell with ADA access left.</p>  <p>Modesty is recessed back 19" from approach side in accordance with A.D.A. specifications.</p>

## Base (Floor) Units

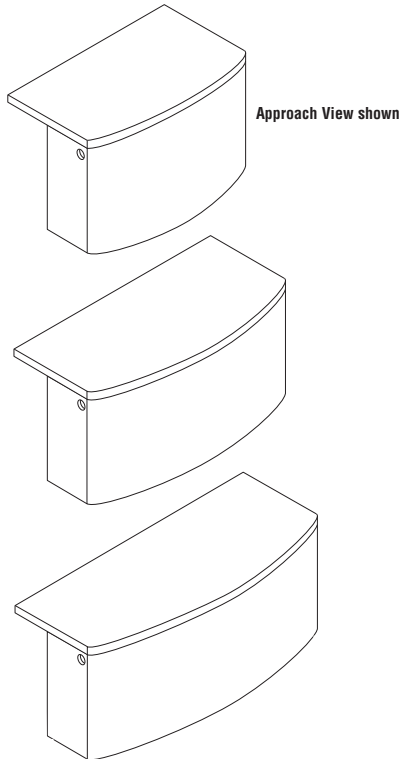
ILLUSTRATION	DIMENSIONS WIDTH x DEPTH x HEIGHT	TOP VIEW	APPLICATIONS
<b>Bridge Shells</b>			
<p><b>Bridge Shells</b></p>  <p><b>Standard Features</b></p> <ul style="list-style-type: none"> <li>• 2½" grommet on half ends</li> <li>• J-channel wire management</li> </ul>	<p>24 x 24 x 29</p> <p>48 x 24 x 29</p> <p>60 x 24 x 29</p> <p>72 x 24 x 29</p>		
<p><b>Bridge Shells ADA Accessible right illustrated</b></p>  <p><b>19" Approach ADA Clearance</b></p> <p><b>Standard Features</b></p> <ul style="list-style-type: none"> <li>• 2½" grommet on half end</li> </ul> <p>Must specify ADA access as left or right</p>	<p>48 x 24 x 29</p> <p>60 x 24 x 29</p> <p>72 x 24 x 29</p>		 <p><b>Illustrated with ADA access left.</b></p>  <p>Modesty is recessed back 19" from approach side in accordance with A.D.A. specifications.</p>

## Base (Floor) Units

ILLUSTRATION	DIMENSIONS WIDTH x DEPTH x HEIGHT	TOP VIEW	APPLICATIONS
--------------	--------------------------------------	----------	--------------

### Curved Bridge Shells

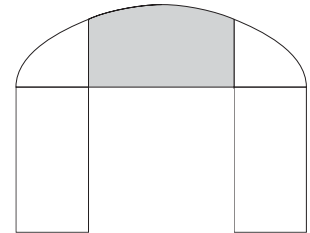
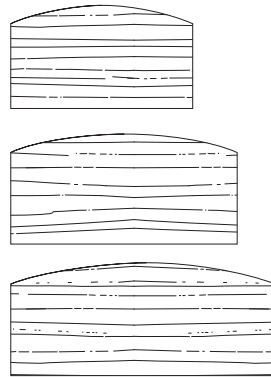
#### Curved Bridge Shells



48 x 28 x 29

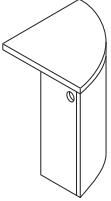
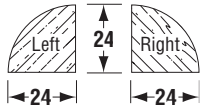
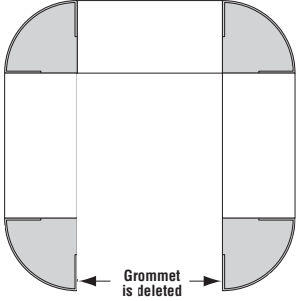
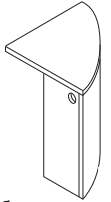
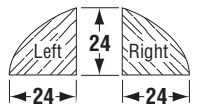
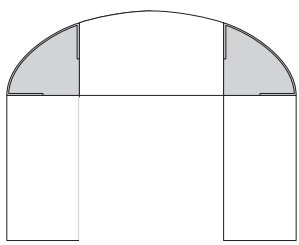
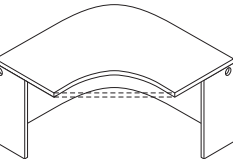
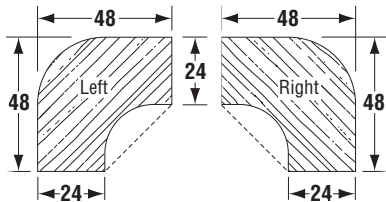
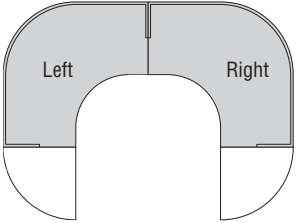
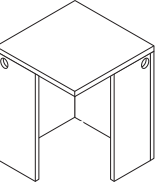
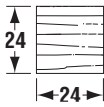
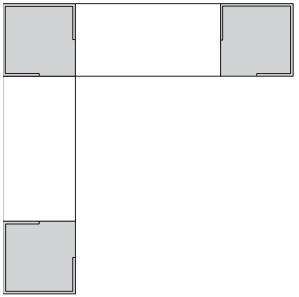
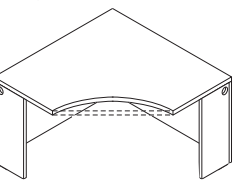
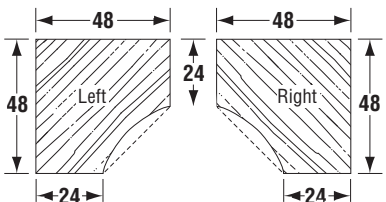
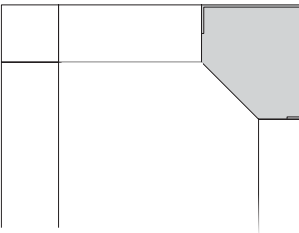
60 x 29 x 29

72 x 30 x 29

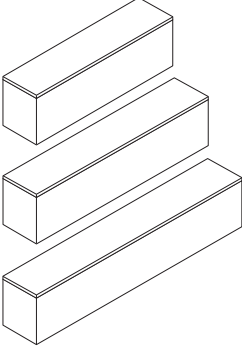
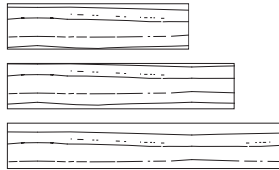
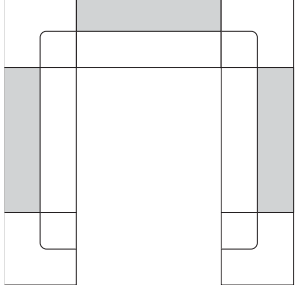
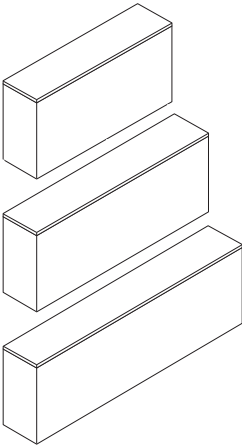
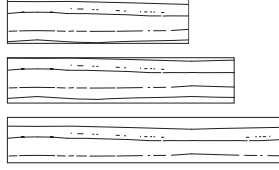
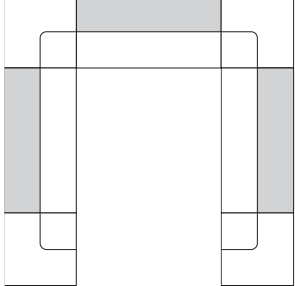
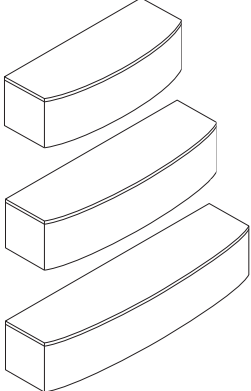
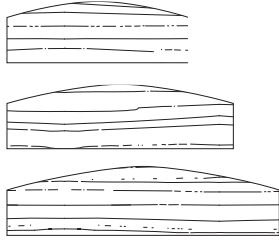
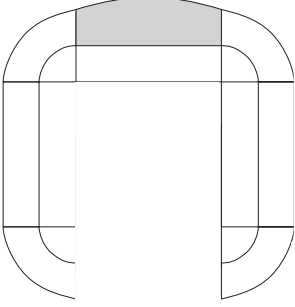


#### Standard Features

- 2½" grommet on half ends
- J-channel wire management

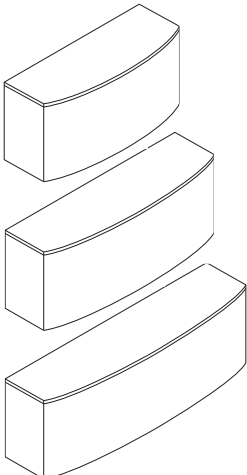
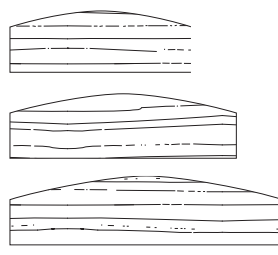
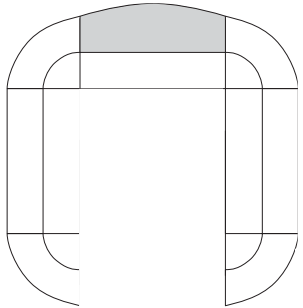
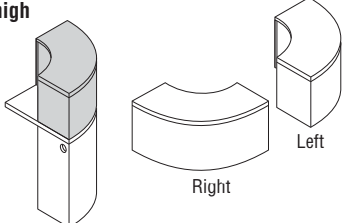
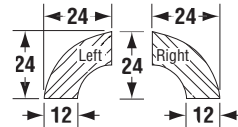
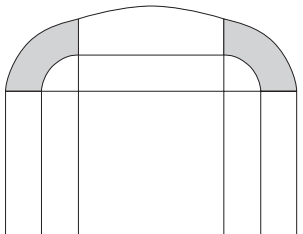
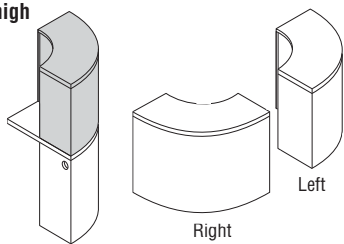
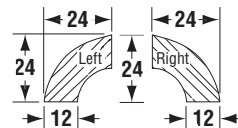
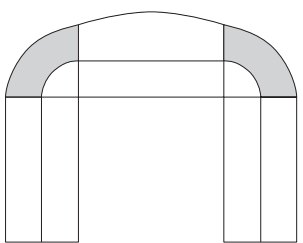
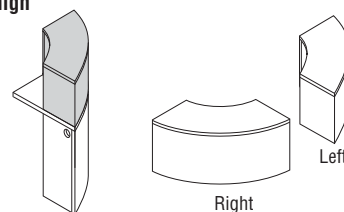
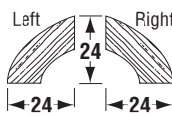
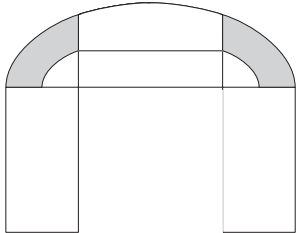
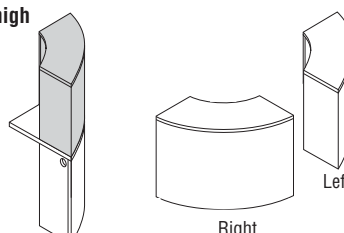
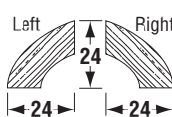
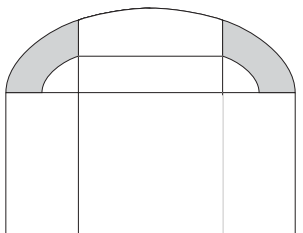
ILLUSTRATION	DIMENSIONS WIDTH x DEPTH x HEIGHT	TOP VIEW	APPLICATIONS
<b>Corner Shells</b>			
<p><b>Quarter Round 24" Corner Shell</b></p>  <p><b>Standard Features</b></p> <ul style="list-style-type: none"> <li>• 2½" grommet on half ends</li> <li>• J-channel wire management</li> </ul> <p>When Corner shell is used as end unit grommet is deleted.</p> <p>Must specify left or right hook-up.</p>	<p>24 x 24 x 29</p>		
<p><b>Elliptical 24" Corner Shell</b></p>  <p><b>Standard Features</b></p> <ul style="list-style-type: none"> <li>• 2½" grommet on half ends</li> <li>• J-channel wire management</li> </ul> <p>When Corner shell is used as end unit grommet is deleted.</p> <p>Must specify left or right hook-up.</p>	<p>24 x 24 x 29</p>		
<p><b>Curved 48" Corner Shell Straight or Curved Work Edge</b></p>  <p><b>Standard Features</b></p> <ul style="list-style-type: none"> <li>• 2½" grommet on half ends</li> <li>• J-channel wire management</li> </ul> <p>When Corner shell is used as end unit grommet is deleted.</p> <p>Must specify curved or straight work edge.</p> <p>Must specify left or right hook-up.</p>	<p>48 x 48 x 29</p>		
<p><b>Square 24" Corner Shell</b></p>  <p><b>Standard Features</b></p> <ul style="list-style-type: none"> <li>• 2½" grommet on half ends</li> <li>• J-channel wire management</li> </ul> <p>When Corner shell is used as end unit grommet is deleted.</p>	<p>24 x 24 x 29</p>		
<p><b>Square 48" Corner Shell Straight or Curved Work Edge</b></p>  <p><b>Standard Features</b></p> <ul style="list-style-type: none"> <li>• 2½" grommet on half ends</li> <li>• J-channel wire management</li> </ul> <p>When Corner shell is used as end unit grommet is deleted.</p> <p>Must specify curved or straight work edge.</p> <p>Must specify left or right hook-up.</p>	<p>48 x 48 x 29</p>		

## Transaction Counter (Upper) Units

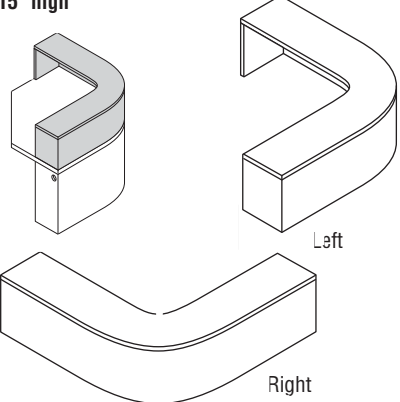
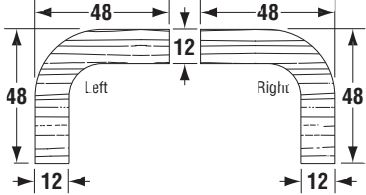
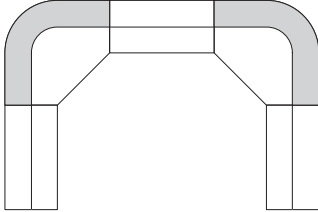
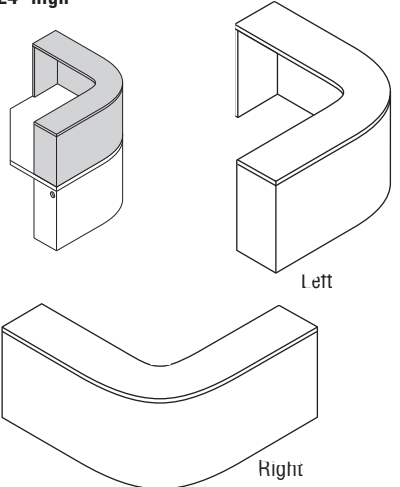
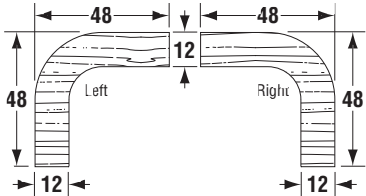
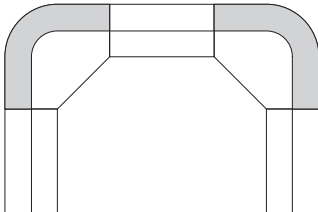
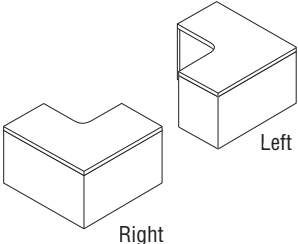
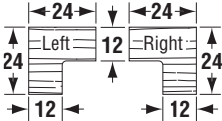
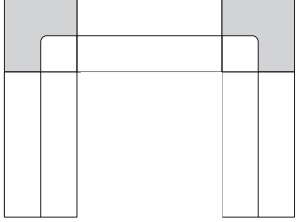
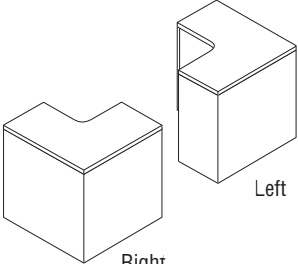
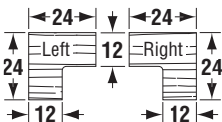
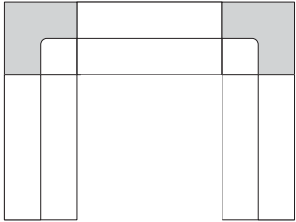
ILLUSTRATION	DIMENSIONS WIDTH x DEPTH x HEIGHT	TOP VIEW	APPLICATIONS
<b>Bridge Transaction Counters / Curved Bridge Transaction Counters</b>			
<p><b>Bridge Transaction Counters – 15" high</b></p> 	<p>48 x 12 x 15 60 x 12 x 15 72 x 12 x 15</p>		
<p><b>Bridge Transaction Counters – 24" high</b></p> 	<p>48 x 12 x 24 60 x 12 x 24 72 x 12 x 24</p>		
<p><b>Curved Bridge Transaction Counters – 15" high</b></p> 	<p>48 x 16<sup>1</sup>/<sub>4</sub> x 15 60 x 17<sup>1</sup>/<sub>4</sub> x 15 72 x 18<sup>1</sup>/<sub>4</sub> x 15</p>		

# Metamorphis Collection – Components

## Transaction Counter (Upper) Units

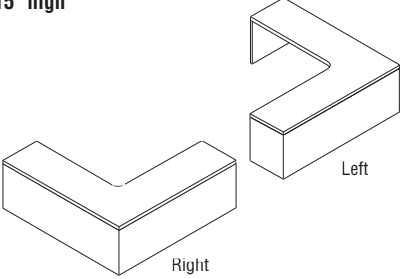
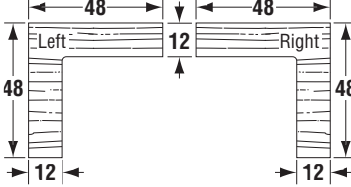
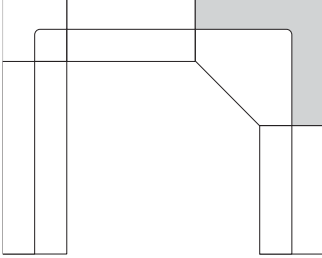
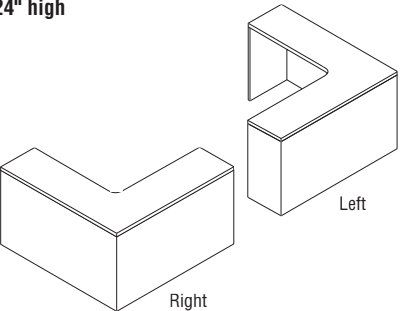
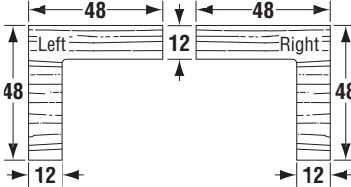
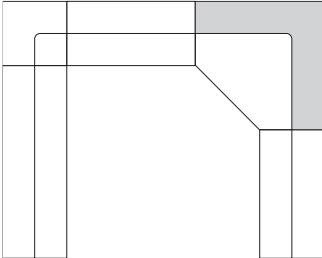
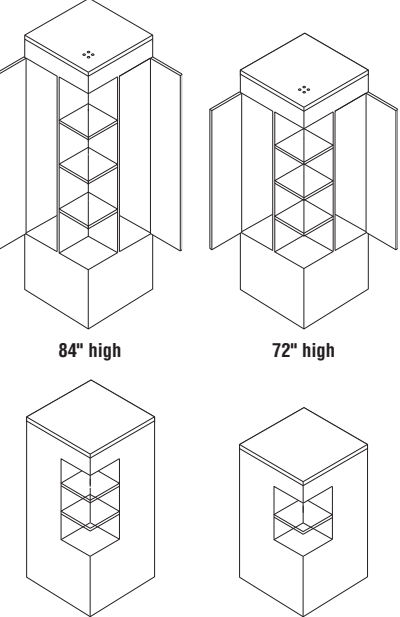
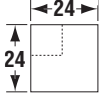
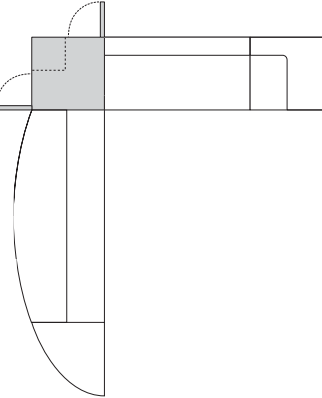
ILLUSTRATION	DIMENSIONS WIDTH x DEPTH x HEIGHT	TOP VIEW	APPLICATIONS
<b>Curved Bridge Transaction Counters / Quarter Round Corner Transaction Counters / Elliptical Corner Transaction Counters</b>			
<p><b>Curved Bridge Transaction Counters – 24" high</b></p> 	<p>48 x 16¼ x 24</p> <p>60 x 17¼ x 24</p> <p>72 x 18¼ x 24</p>		
<p><b>Quarter Round Corner Transaction Counters – 15" high</b></p> 	<p>24 x 24 x 15</p>		
<p><b>Quarter Round Corner Transaction Counters – 24" high</b></p> 	<p>24 x 24 x 24</p>		
<p><b>Elliptical Corner Transaction Counters – 15" high</b></p> 	<p>24 x 24 x 15</p>		
<p><b>Elliptical Corner Transaction Counters – 24" high</b></p> 	<p>24 x 24 x 24</p>		

## Transaction Counter (Upper) Units

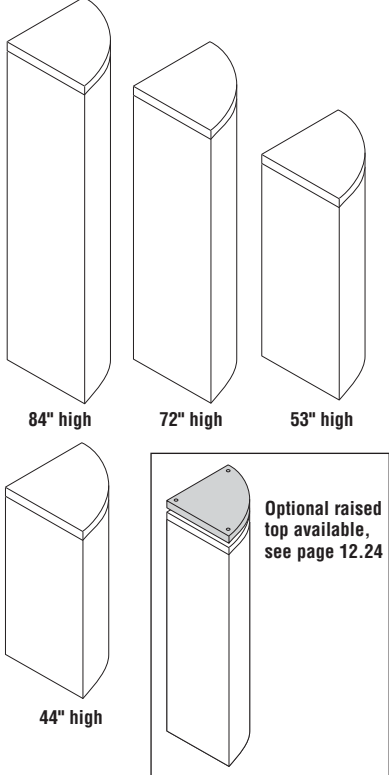
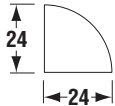
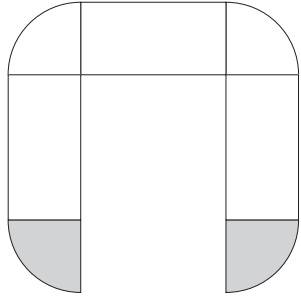
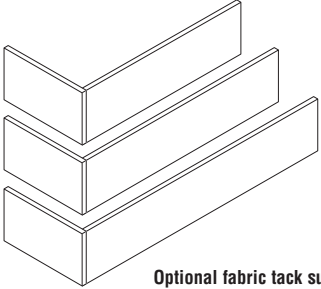
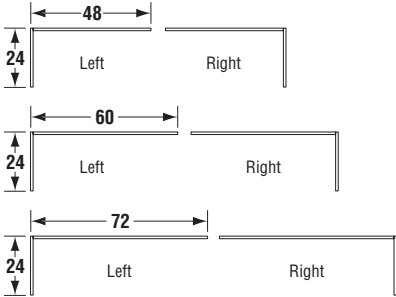
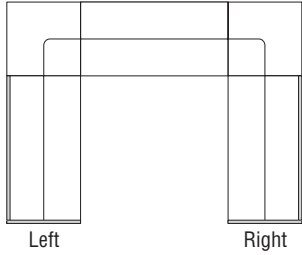
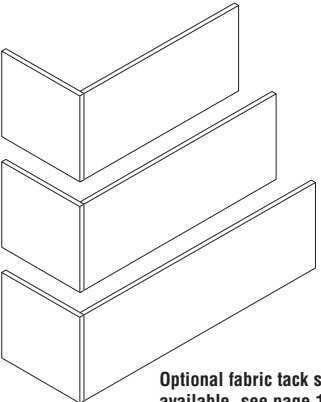
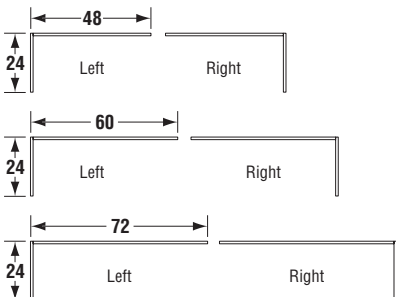
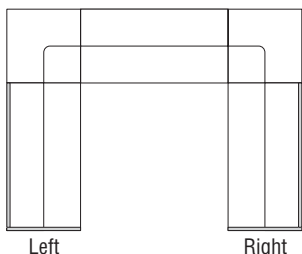
ILLUSTRATION	DIMENSIONS WIDTH x DEPTH x HEIGHT	TOP VIEW	APPLICATIONS
<p><b>48" Curved Corner Transaction Counters – 15" high</b></p> 	<p>48 x 48 x 15</p>		
<p><b>48" Curved Corner Transaction Counters – 24" high</b></p> 	<p>48 x 48 x 24</p>		
<p><b>Square Corner Transaction Counter – 15" high</b></p> 	<p>24 x 24 x 15</p>		
<p><b>Square Corner Transaction Counter – 24" high</b></p> 	<p>24 x 24 x 24</p>		

# Metamorphis Collection – Components

## Transaction Counter (Upper) Units / Corner Display Towers

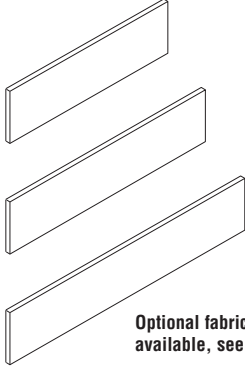
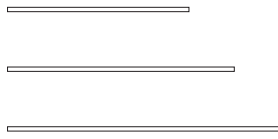
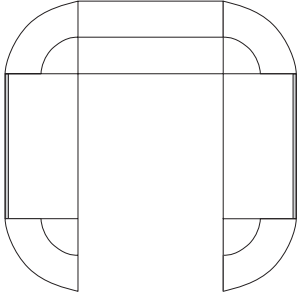
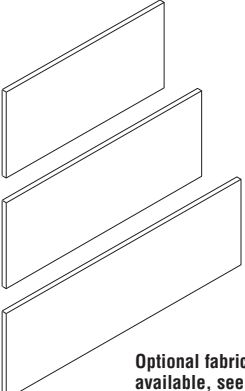
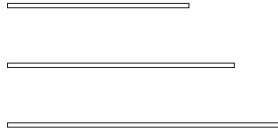
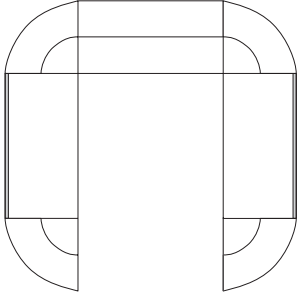
ILLUSTRATION	DIMENSIONS WIDTH x DEPTH x HEIGHT	TOP VIEW	APPLICATIONS
<b>Square Corner Transaction Counters / Corner Display Towers</b>			
<p><b>48" Square Corner Transaction Counters – 15" high</b></p> 	<p>48 x 48 x 15</p>		
<p><b>48" Square Corner Transaction Counters – 24" high</b></p> 	<p>48 x 48 x 24</p>		
<p><b>Corner Display Towers</b></p>  <p><b>Standard Features</b></p> <ul style="list-style-type: none"> <li>• 84" and 72" units feature left and right mini coat storage with 11" x 11" interior</li> <li>• Glass display shelves: 11" x 11"</li> <li>• Halogen display light on 84" and 72" units</li> <li>• Top with heat vent holes on 84" and 72" units</li> <li>• 1<sup>3</sup>/<sub>16</sub>" thick top</li> <li>• Raised top optional on all units</li> </ul>	<p>24 x 24 x 84</p> <p>24 x 24 x 72</p> <p>24 x 24 x 53</p> <p>24 x 24 x 44</p>		

## Quarter Round Towers / Return Privacy Panels

ILLUSTRATION	DIMENSIONS WIDTH x DEPTH x HEIGHT	TOP VIEW	APPLICATIONS
<b>Quarter Round Towers / Return Privacy Panels</b>			
<b>Quarter Round Towers</b>			
 <p>84" high      72" high      53" high</p> <p>44" high</p> <p>Optional raised top available, see page 12.24</p>	<p>24 x 24 x 84 24 x 24 x 72 24 x 24 x 53 24 x 24 x 44</p>	 <p><b>Standard Features</b></p> <ul style="list-style-type: none"> <li>• Solid Column 24" x 24"</li> <li>• 1<sup>3</sup>/<sub>16</sub>" top</li> </ul> <p><b>Option</b></p> <ul style="list-style-type: none"> <li>• Raised top optional on 84", 72", 53" and 44" high units.</li> </ul>	
<p><b>Return Privacy Panels – 13<sup>3</sup>/<sub>4</sub>" high</b></p>  <p>Optional fabric tack surface available, see page 12.27</p>	<p>48 x 24 x 13<sup>3</sup>/<sub>4</sub>" 60 x 24 x 13<sup>3</sup>/<sub>4</sub>" 72 x 24 x 13<sup>3</sup>/<sub>4</sub>"</p>		
<p><b>Return Privacy Panels – 22<sup>3</sup>/<sub>4</sub>" high</b></p>  <p>Optional fabric tack surface available, see page 12.27</p>	<p>48 x 24 x 22<sup>3</sup>/<sub>4</sub>" 60 x 24 x 22<sup>3</sup>/<sub>4</sub>" 72 x 24 x 22<sup>3</sup>/<sub>4</sub>"</p>		

# Metamorphis Collection – Components

## Bridge Privacy Panels

ILLUSTRATION	DIMENSIONS WIDTH x DEPTH x HEIGHT	TOP VIEW	APPLICATIONS
<b>Bridge Privacy Panels</b>			
<p><b>Bridge Privacy Panels – 13<sup>3</sup>/<sub>4</sub>" high</b></p>  <p>Optional fabric tack surface available, see page 12.27</p>	<p>48 x 1 x 13<sup>3</sup>/<sub>4</sub></p> <p>60 x 1 x 13<sup>3</sup>/<sub>4</sub></p> <p>72 x 1 x 13<sup>3</sup>/<sub>4</sub></p>		
<p><b>Bridge Privacy Panels – 22<sup>3</sup>/<sub>4</sub>" high</b></p>  <p>Optional fabric tack surface available, see page 12.27</p>	<p>48 x 1 x 22<sup>3</sup>/<sub>4</sub></p> <p>60 x 1 x 22<sup>3</sup>/<sub>4</sub></p> <p>72 x 1 x 22<sup>3</sup>/<sub>4</sub></p>		

**Contact Customer Service For  
Pricing On Support Options,  
Modular Pedestals & Hardware.**

Metamorphis appearance changes are achieved by adding standard and custom materials to the veneer components. The following pages will describe the standard options available and provide ideas for creating a unique signature design.

## Appearance Options

- **Raised Counter Top Options**

  - **Standard**

  - Clear Glass
  - Frosted Glass

  - **Custom**

  - Solid Surface
  - Stone: marble or granite
  - Bendheim / Pulp Glass Creations

- **Suspended Facade Options**

- **Designer Pulls**

## Support Options

- **Fabric Tack Surfaces**

- **Task Accessory Options**

- **Wire Management Options**

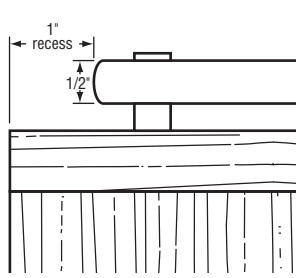
- **Keyboard Options**

- **Data, Power, Telephone Support Options**

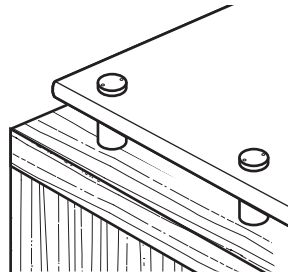
# Metamorphis Collection – Raised Counter Top Options

## Raised Counter Top Features

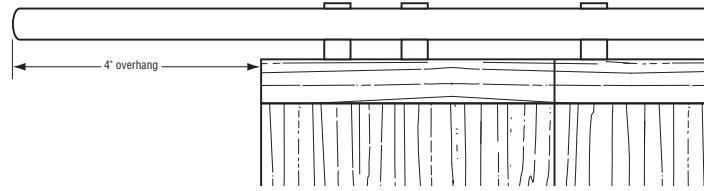
Optional counter top surfaces are suspended 1" above standard veneer top using 7/8" diameter steel stand off spacers. Spacers are fixed into veneer top with optional top bored and capped onto the spacer. Spacers and caps are brushed nickel finished.



Side view - standard



3/4 view - standard



Side view -Optional Curved Bridge Overhang

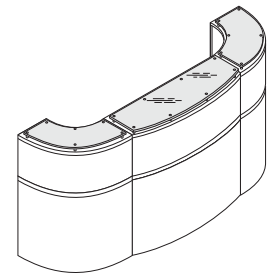
## Raised Glass Counter Tops Standard Features

Raised glass counter tops are 1/2" thick tempered glass with bull nosed edge, available in clear or frosted finish. Glass tops are inset 1" from unit edge on all sides. Raised glass counter tops are available on all counter and tower tops.

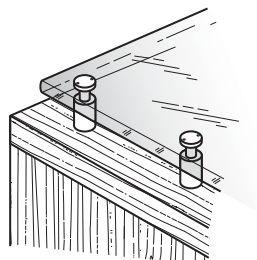
## How to specify standard glass top options

1. Specify each transaction counter component to receive raised glass option.
2. Specify clear or frosted glass finish.
3. Include information as follows:

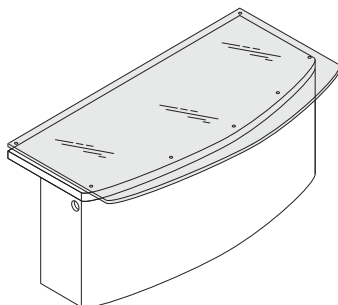
**Example** 48" curved bridge transaction counter with **optional raised glass counter top in frosted finish.**



## Standard Glass Components



Raised Glass Counter Tops



Optional Curved Bridge Overhang

Contact Metamorphis Customer Service for pricing.

Bridge Counter 48"

Bridge Counter 60"/72"

Curved Bridge Counter 48"

Curved Bridge Counter 60"/72"

Curved Bridge Counter with overhang top

Square Corner Counter 24"

Elliptical Corner Counter 24"

Quarter Round Counter 24"

45° Corner Counter 48"

45° Curved Corner Counter 48"

Tower Top

Quarter Round Tower Top

Top Views



### Custom Glass Counter Tops

Pulp or Bendheim brand glass counters can be custom quoted by Dar•Ran customer service. Specify pattern for quote.

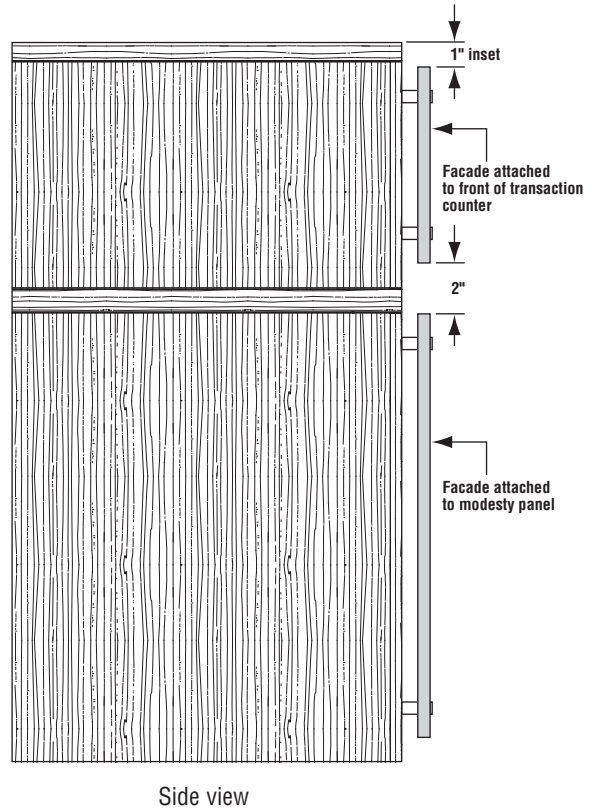
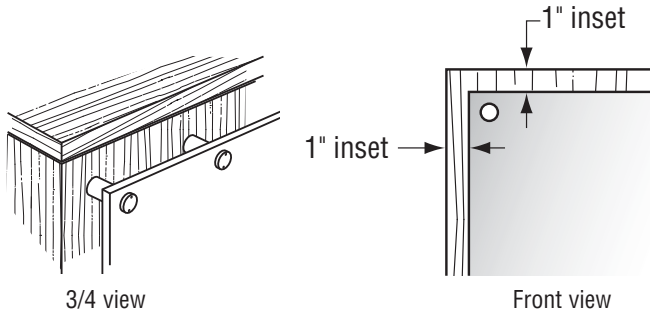
## Custom Raised Counter Tops

Dar•Ran will gladly quote custom counter surfaces on request. Possibilities include:

- Stone: marble or granite
- Solid Surface material
- Pulp or Bendheim specialty glass
- Leather covered panels
- HPL laminate by Wilsonart™

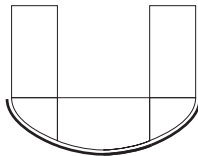
## Suspended Facades

Optional modesty facades are suspended 1" in front of standard veneer modesty panels using 7/8" diameter x 1" steel spacers. Spacers are fixed into veneer modesty panel with facades attached on to spacers with 1/8" x 7/8" diameter steel caps. Spacers and caps are brushed nickel finished. Facades are inset 1" from unit front on all sides.

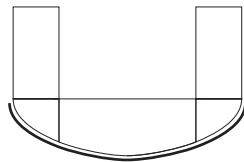


Top views

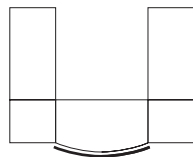
Facades may run continuous as one piece over straight / elliptical or curved corners.



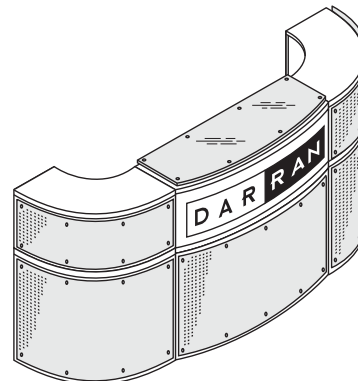
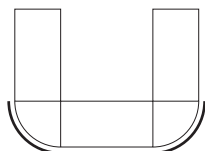
Curved bridge and corner Facades can be continuous.



Bridge facade only recommended for curved bridge with square corner units.



Quarter round corners with bridge: facades may run continuous as one piece.



Modesty facades may be staggered for design effect.

## Standard Suspended Facade Option Specifications

### Perforated Metal Facade

Metal: 3/64" thick aluminum panel

Perforation: 3/16" round holes spaced 5/16" apart

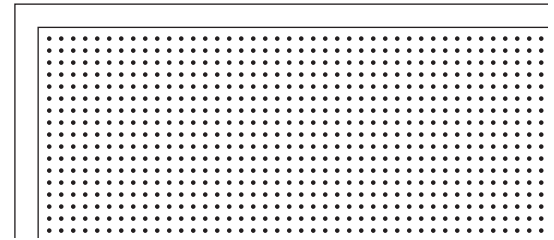
Frame: perforated panel framed with 1" wide solid border, 1/8" thick, in matching finish

**Standard Finish:** Random brushed aluminum finish, clear coated

**Optional Finishes:** Wave brushed aluminum finish, clear coated

Copper translucent coated on random or wave brushed finish

Dupont Illusion lacquer coated on random or wave brushed finish

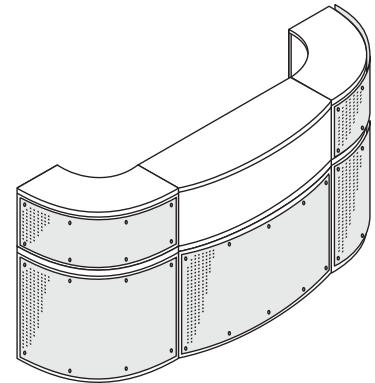


Perforated Metal Facade detail – front view

## How to specify standard perforated Metal Facades

1. Specify finish from list above.
2. Furnish sketch indicating metal facade locations for base units and transaction counters.

Contact Metamorphis Customer Service for pricing.



## Custom Suspended Facades

Dar•Ran will gladly quote custom facade surface materials on request. Possibilities include:

- Exotic Veneer
- Moz™ metal designs
- HPL Laminate by Wilsonart™
- Metallic Laminates
- C.O.M. Fabrics
- Perforated Veneer

Dar•Ran was founded on solid philosophies that quality wood furnishings must be individually crafted, solution oriented and supported with service integrity. Since 1977 this focus has continued to be driven by family ownership.

R I G H T P R O D U C T S | R I G H T A T T I T U D E | D E F I N E D V A L U E



Dar•Ran Furniture Industries

P.O. Box 7614

High Point, NC 27264

Phone 336.861.2400

1.800.334.7891

Fax 336.861.6485

[www.darran.com](http://www.darran.com)

**Chicago Showroom**

Merchandise Mart

Space 11-104

Chicago, IL 60654

**New York Showroom**

Suite 1514

200 Lexington Ave.

New York, NY 10016