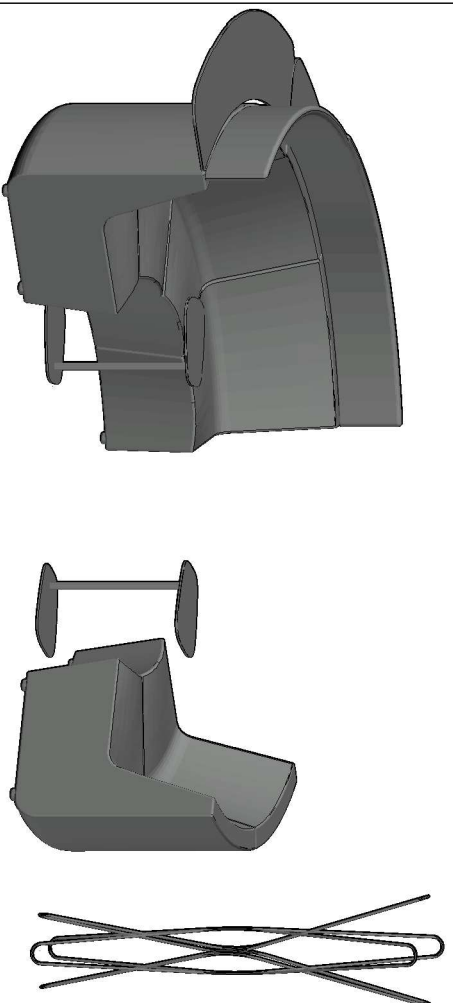
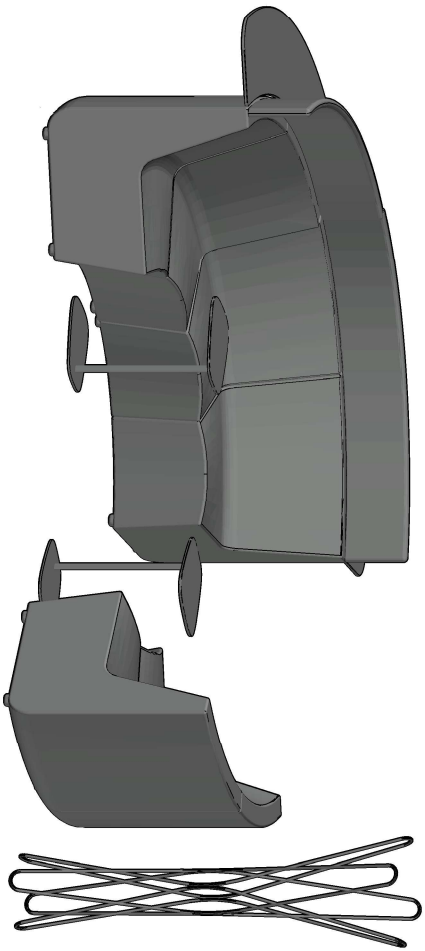


SCALE: 1/2"=1'-0"



SCALE: NTS



SCALE: NTS

This is a preliminary drawing subject to approval by manufacturing. Actual product may vary from drawing shown. DARRAN reserves the right to alter specifications and/or materials. It will be the responsibility of Dealer/Designer to: Do Field Measurements, Confirm All Product Will Fit Office Space. Also, To Confirm Product Quoted is Correct As To Configurations, Sizes, Design Etc.

Approval Signature: _____

DARRAN Furniture
 P.O. Box 7614
 High Point, NC 27264
 Phone 336 861 2400
 Fax 336 861 6485
 1,800.334.7891
 www.darran.com

DARRAN®

Quote #: _____
 Date: 11/01/22
 Revision #: _____
 Revision date: _____
 Product: BOTA
 Scale: AS SHOWN
 Drawn By: _____