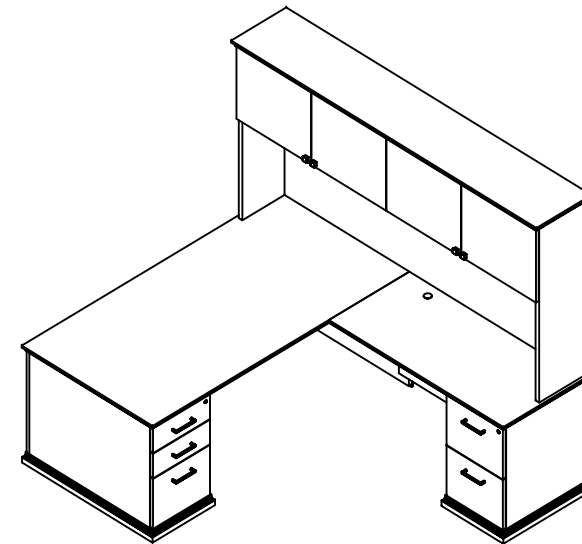
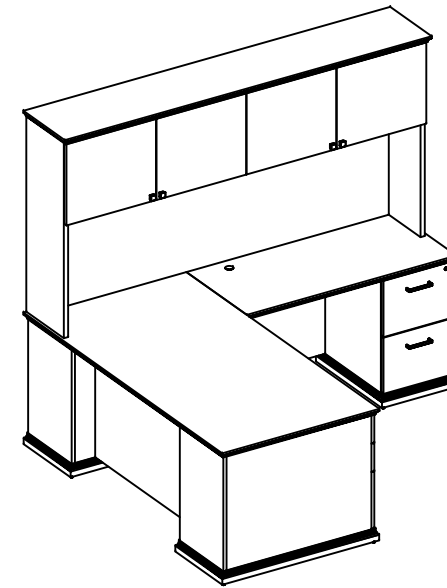


SCALE: NTS



SCALE: NTS

SCALE: 1/2"=1'-0"

DARRAN

DARRAN Furniture
 P.O. Box 7614
 High Point, NC 27264
 Phone 336.861.2400 1.800.334.7891
 Fax 336.861.6485 www.darran.com

This is a preliminary drawing subject to approval by manufacturing. Actual product may vary from drawing shown. DARRAN reserves the right to alter specifications and/or materials. It will be the responsibility of Dealer/Designer to: Do Field Measurements, Confirm All Product Will Fit Office Space. Also, To Confirm Product Quoted is Correct As To Configurations, Sizes, Design Etc.

Approval Signature: _____

Quote #:
 Date: 11/01/2022
 Revision #:
 Revision date:
 Product: CAPITOL PARK
 Scale: AS SHOWN
 Drawn By: