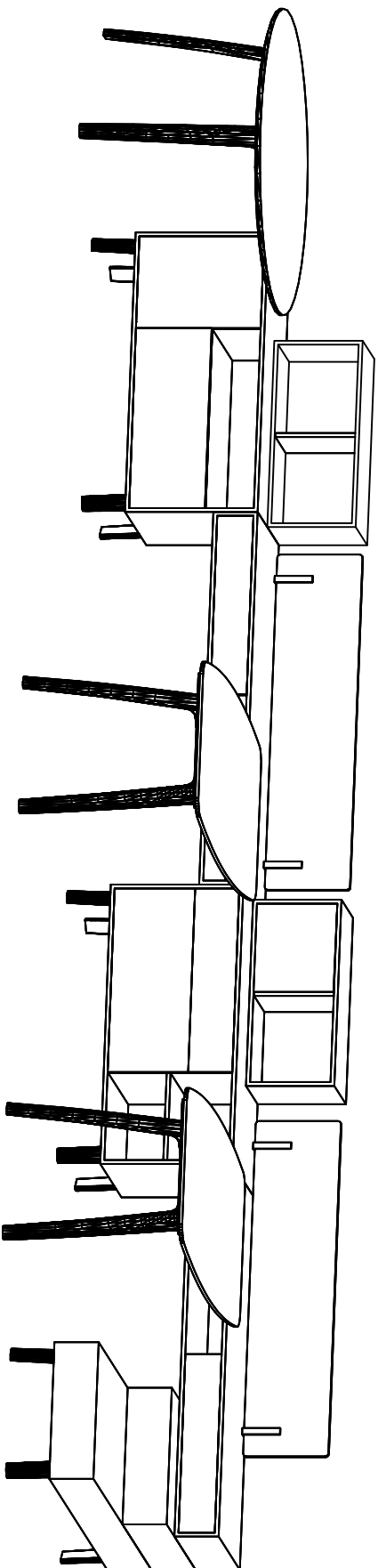


SCALE: 1/4" = 1'-0"

SCALE: NTS



This is a preliminary drawing subject to approval by manufacturing. Actual product may vary from drawing shown. DARRAN reserves the right to alter specifications and/or materials. It will be the responsibility of Dealer/Designer to: Do Field Measurements; Confirm All Product Will Fit Office Space, and ensure power/data is accessible. Also, To Confirm Product Quoted is Correct As To Configurations, Sizes, Design Etc.

Approval Signature: _____

DARRAN

DARRAN Furniture
P.O. Box 7614
High Point, NC 27264
Phone 336.881.2400
Fax 336.881.6485
www.darran.com

Quote #:
Date: 07/01/2021

Revision #:
Revision date:
Product: CHAMELEON
Scale: AS SHOWN
Drawn By: