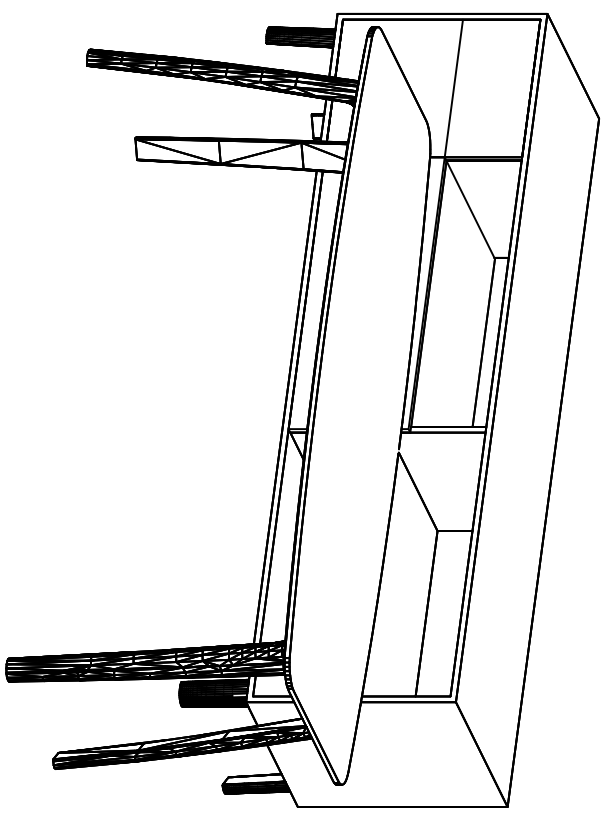


SCALE: 3/8" = 1'-0"



SCALE: NTS

DARRAN<sup>®</sup>

DARRAN Furniture  
 P.O. Box 7614  
 High Point, NC 27264  
 Phone 336.861.2400 1.800.334.7891  
 Fax 336.861.6485 www.darran.com

This is a preliminary drawing subject to approval by manufacturing. Actual product may vary from drawing shown. DARRAN reserves the right to alter specifications and/or materials. It will be the responsibility of Dealer/Designer to: Do Field Measurements, Confirm All Product Will Fit Office Space, and ensure power/data is accessible. Also, To Confirm Product Quoted is Correct As To Configurations; Sizes; Design Etc.

Approval Signature: \_\_\_\_\_

Quote #:  
 Date: 07/01/2021  
 Revision #:  
 Revision date:  
 Product: CHAMELEON  
 Scale: AS SHOWN  
 Drawn By: