

ThinkingQuietly cone - fixed height version

ThinkingWorks is not responsible for assessing the appropriateness of site for installing the cone. Please check with rigging installation company to determine if ceiling type is appropriate and able to support the weight of the cone.

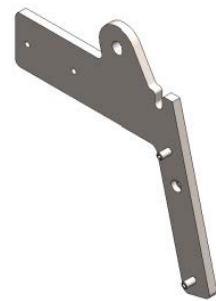
parts list



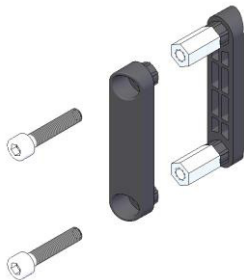
4x Cone Panel Assembly



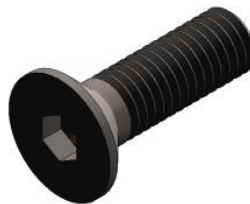
2x Crossbeam



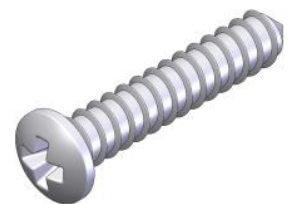
4x Hanging Bracket Assembly



8x Panel Joiner Assembly



8x Screw - M6 x 25mm Countersunk



4x Screw - 10g x 1" Phillips Pan Head

tools required (not supplied)



4/5mm Allen Key

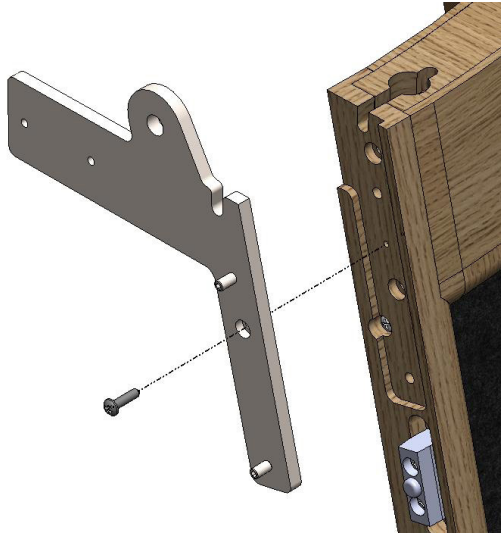


Phillips head screw driver OR driver drill



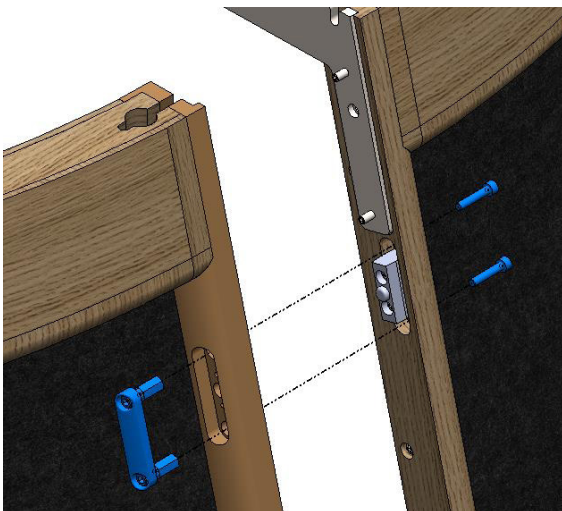
step 1: attaching hanging brackets

a. assemble hanging bracket to each cone panel assembly.



step 2: joining cone panels

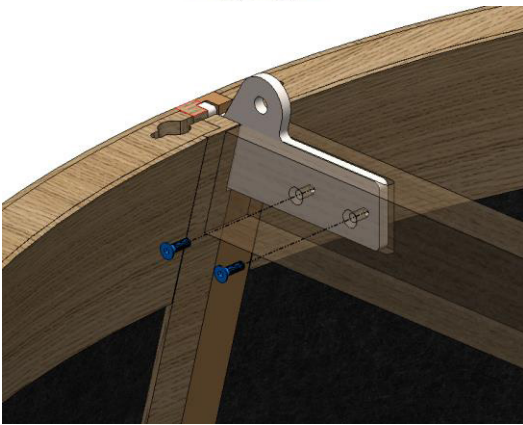
a. arrange the cone panel assemblies together to form the cone shape.
b. cone panel assemblies are joined together using the 8x panel joiner assemblies.



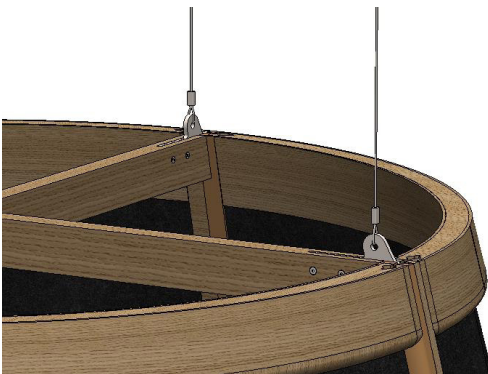
step 3: attaching crossbeams to cone panels



- a. the crossbeams are installed from beneath and slot into the hanging brackets.
- b. M6 x 25mm screws assembled through crossbeams and fastened into hanging brackets.



step 4: ceiling suspension



- a. the cone is to be suspended from a hanging wire suspension system such as the Gripple system or equivalent. www.grippleaustralia.com.au
- b. the hanging system would be supplied by the rigging installation company.
- c. recommended suspension height is approximately 60" from floor to cone underside.
- d. ceiling anchor point placement is 43.5" x 43.5" as shown.

