

# Babble price list.



## Babble price list revisions

Date page

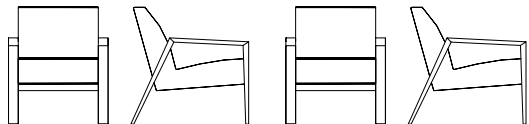
Modification

Description

## Babble table of contents

Seating Specification.....	1
Finishes.....	2
Seating.....	3

# Babble statement of line.



PAGE 3  
Lounge Chair

PAGE 4  
Lounge Chair

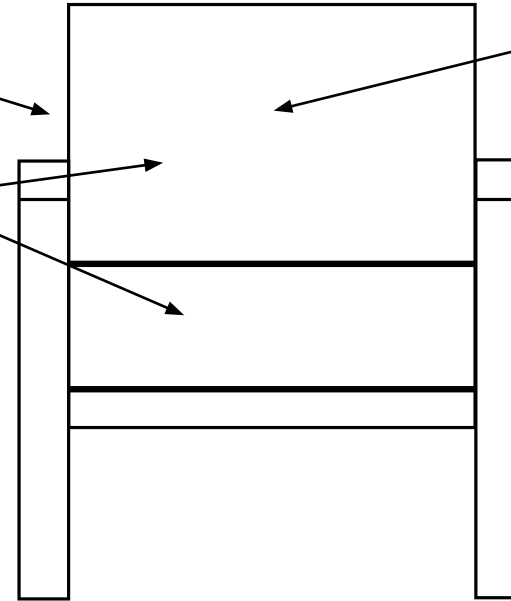
## Babble seating specification

Width = 27-1/2"  
 Depth = 30-1/2"  
 Height = 31"  
 Seat Width = 22"  
 Seat Depth = 21"  
 Seat Height = 17-1/2"  
 Arm Height = 24"  
 Cartoned Weight = 46 lbs.

Frame constructed CNC cut engineered hardwood to maximize the strength, precise measurements and overall longevity.

Seats and backs sprung with no sag sinuous wire springs to enhance comfort, sustainability and endurance.

Designed with clean lines, sweeping back and top stitch throughout.



Soy-based, high resilient polyurethane foam consisting of minimum 1.8 density in seats and backs, further advancing support and durability.

Solid wood arms slope forward for maximum comfort.

Variety of textiles and back options offer customers flexibility in design and consistency within each office setting.

### Joints

Joints are securely fastened with mortise and tenon joinery or double doweled construction to ensure long-term use.

### Seat suspension

Seat suspension is constructed of 3/4" thick top quality Baltic Birch plywood that is machined to form an open perimeter of rounded inside edges to reduce strain on the seat suspension. A single piece of sheet webbing reduces stress on the foam and supports the foam across the entire opening of the seat pan, thus preventing foam cutting that can occur with straps.

### Seat assembly

Seat assembly is attached within finger grooved corner blocks and further secured by wood cleats, providing a vast superior means of stability in the chair.

### ENVI-CT Finish

ENVI-CT (Environmental Coatings Technology) utilizes advanced European finish technology to deliver a high-end furniture coatings with superior performance in appearance and durability, allowing DARRAN to deliver more sustainable products to our customers.

## Babble finishes

WAC Amber Cherry  
 WRC Caramel Cherry  
 WIC Crimson Cherry  
 WEC Ebony  
 WHC Honey Cherry  
 WOC KoKo Cherry  
 WAM Alabaster Maple  
 WCM Clear Maple  
 WWM Wheat Maple  
 WOW Clear Walnut  
 WEW Executive Walnut  
 WGW Gunstock Walnut  
 WBW Henna Walnut  
 WNW Natural Walnut  
 TBCO Baby's Cheek  
 TBSW Brown Sugar  
 TSTV Studio Teak Walnut  
 SSM Seattle Mist Paint  
 SSL Skyline Walnut Paint  
 TOBW Organic Brown  
 WWP Designer White Paint

Send 3x3 or larger finish chip for color match. Custom finish upcharge is 3% or \$250 Net (whichever is greater).

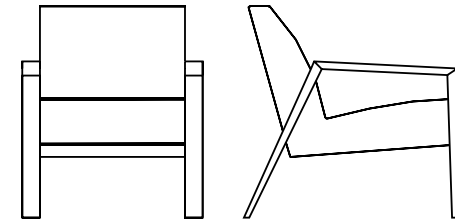
## Finish

ENVI-CT Green Certified European Technology Coatings Finish.

Frames are constructed of kiln-dried European beech and coordinate with all DAR-RAN casegood finishes.

# Babble.

Lounge Chair  
Lounge Chair - Maple Arms



[View statement of line](#)

1 model	COM	COL	1	2	3	4	5	6	7	8	9	10	11/L1	12	13/L2
BAB0110DAC01-M	1397	1397	1536	1582	1628	1674	1720	1766	1812	1858	1904	1950	1996	2042	2134
W x D x H 27 -1/2" x 30 -1/2" x 31"			Upholstery Requirements Fabric yds: 2 -1/2" Leather Sq. Ft.: 45 Carton Weight: 46 lbs.												
Arm Height: 24"															
Seat Height: 17 -1/2"															
Inside Seat Depth: 20 -3/4"															
Inside Seat Width: 22"															

## 2 Select a finish

[View finish details](#)

- WAC Amber Cherry
- WRC Caramel Cherry
- WIC Crimson Cherry
- WEC Ebony
- WHC Honey Cherry
- WOC KoKo Cherry
- WAM Alabaster Maple
- WCM Clear Maple
- WWM Wheat Maple
- TBCO Baby's Cheek
- TBSW Brown Sugar
- TSTV Studio Teak Walnut
- SSM Seattle Mist Paint
- SSL Skyline Walnut Paint
- TOBW Organic Brown
- WWP Designer White Paint

## 3 Combination Fabrics

[View finish details](#)

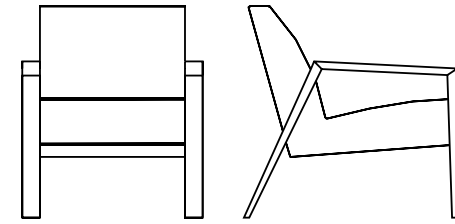
Combination  
Fabric Option  
Not Available

## Product features.

- Frame constructed of CNC cut engineerer hardwood to maximize the strength, precise measurements and overall longevity
- Seats and back sprung with no sag sinuous wire spring to enhance comfort, sustainability and endurance.
- Solid wood arms slope forward for maximum comfort
- Soy-based, high resilient polyurethane foam consisting of minimum 1.8 density.

# Babble.

Lounge Chair  
Lounge Chair - Walnut Arms



[View statement of line](#)

1 model	COM	COL	1	2	3	4	5	6	7	8	9	10	11/L1	12	13/L2
BAB0110DAC01-W	1664	1664	1794	1840	1886	1932	1978	2024	2070	2116	2162	2208	2254	2300	2392
W x D x H 27 -1/2" x 30 -1/2" x 31"			Upholstery Requirements Fabric yds: 2 -1/2" Leather Sq. Ft.: 45 Carton Weight: 46 lbs.												
Arm Height: 24"															
Seat Height: 17 -1/2"															
Inside Seat Depth: 20 -3/4"															
Inside Seat Width: 22"															

## 2 Select a finish

[View finish details](#)

- WOW Clear Walnut
- WEW Executive Walnut
- WGW Gunstock Walnut
- WBW Henna Walnut
- WNW Natural Walnut
- TSTV Studio Teak Walnut

## 3 Combination Fabrics

[View finish details](#)

Combination  
Fabric Option  
Not Available

## Product features.

- Frame constructed of CNC cut engineerer hardwood to maximize the strength, precise measurements and overall longevity
- Seats and back sprung with no sag sinuous wire spring to enhance comfort, sustainability and endurance.
- Solid wood arms slope forward for maximum comfort
- Soy-based, high resilient polyurethane foam consisting of minimum 1.8 density.