

DARRAN[®]

Effective May 16-October 31, 2022

Products will incur a 5% surcharge due to the impact of raw material and freight inflation. A separate line item noted surcharge will appear on all acknowledgments and invoices. The surcharge will be calculated as 5% of the net subtotal of the order

Effective November 1, 2022

DARRAN will implement a 9% Price increase to products (options not included).

At that time the 5% surcharge will be discontinued.

Pricing in this book does not include the 9% at this time.



Quick Ship Guest Price List

Effective March 1, 2022

Cosmo designed By Chris Carter

Date Page

Modification

Description

Seating Specification1
Guest Chairs2

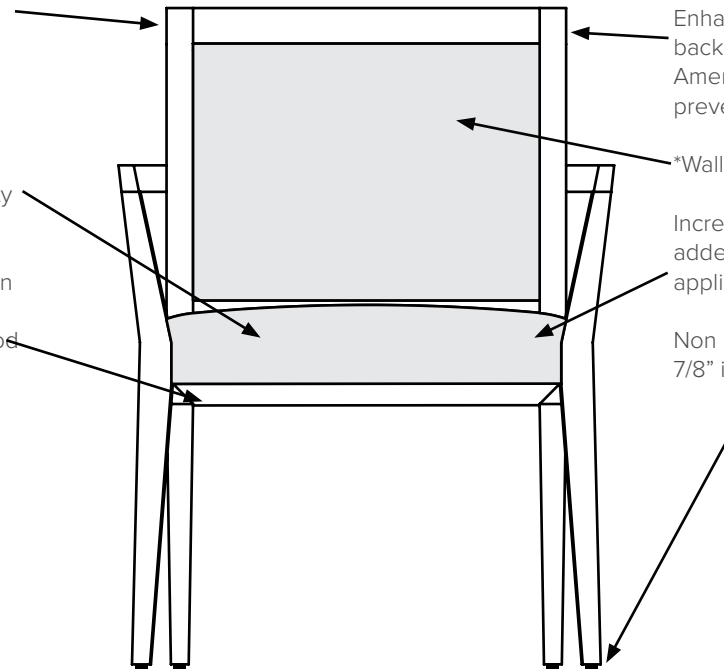
DARRAN®

Width = 24-1/2"
Depth = 23-3/4"
Height = 32-1/2"
Seat Width = 19"
Seat Depth = 19-1/2"
Seat Height = 18"
Arm Height = 24-3/4"
Cartoned Weight = 25 lbs.

Frame is constructed of kiln-dried European beech, PEFC Certified sustainable yield, perpetuating premium quality and durability.

Seat cushions are made of high resiliency foam with proper density to give comfort and support.

Seat rails are reinforced with tenon and groove corner blocks and cleats attached with glue and wood screws.



Cosmo Seating Specification

Enhancing veinline detail at the back panel to further showcase American craftsmanship and prevent finish cracking.

*Wall-Saver Design

Increased seat width to allow added comfort and increased application.

Non adjustable nylon glides are 7/8" in diameter.

Variety of textiles and back options offer customers flexibility in design and consistency within each office setting.

Joints

Joints are securely fastened with mortise and tenon joinery or double doweled construction to ensure long-term use.

Seat suspension

Seat suspension is constructed of 3/4" thick top quality Baltic Birch plywood that is machined to form an open perimeter of rounded inside edges to reduce strain on the seat suspension. Seats are webbed to provide maximum support for seat cushions. Seat cushions are made of high resiliency foam with proper density providing comfort.

Seat assembly

Seat assembly is attached within finger grooved corner blocks and further secured by wood cleats, providing a vast superior means of stability in the chair.

Finish

Welltech Finish delivers a superior furniture coating with exceptional performance that can withstand stringent cleaning agents and possesses unparalleled durability, allowing DARRAN to provide lasting, sustainable products to our customers.

Shipping Schedule

DARRAN will make every effort to match shipping requests that are clearly noted on orders. However, the company accepts no liability for failure of delivery and/or delay if the occurrence is outside the control of DARRAN. To ensure specific time arrival, we recommend arranging single stop, designated load carriers. Less than trailer load (LTL) shipments cannot be coordinated for a guaranteed delivery time.

Prices

- › All prices shown are suggested list prices with freight included where indicated.
- › Freight allows delivery to one qualified destination.
- › Within the Continental USA, all orders above \$1,500 net are shipped FOB factory, freight prepaid and allowed. All orders less than \$1,500 net will be subject to a \$100 net freight charge.
- › If shipment unloading takes longer than the specified 3 hours, a charge of \$100 per hour will be billed.

Call Before Delivery Request

DARRAN will arrange for carriers to call before delivery when requested.

Important Non-Qualified Destinations DARRAN Prepaid Freight Pricing does not include delivery to:

- › Residential Areas
- › Restricted Commercial Areas
- › No Dock Locations
- › Inside delivery/setup service

Orders received and installed without professional Furniture Installers voids all Warranty Coverage.

Carrier Selection

DARRAN selects and uses only carriers specialized in furniture transportation. Customer requested carriers can be authorized using Freight Excluded pricing with invoice add-on.

Express Carriers

DARRAN assumes no responsibility for charges incurred caused by delayed or late deliveries. If a guaranteed delivery time is needed please call DARRAN Customer Service at 1.800.334.7891 for a quote as additional charges will apply. Weekend or after-hours deliveries are subject to additional charges.

15 Day Quick Ship

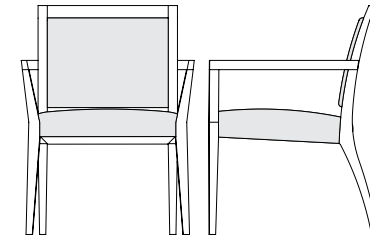
DARRAN provides a 15 Day Quick Ship solution for customers that need a fast delivery on casegoods, conference tables and guest chairs. Available products will have a truck icon listed in front of the product sku. The product should be designated on purchased orders as quick ship.

- › Limited to 20 offices, 10 Conference tables and 30 guest chairs per order.
- › Finishes Available: Amber Cherry, Crimson Cherry, Honey Cherry, KoKo Cherry, Alabaster Maple, Clear Maple, Executive Walnut, Gunstock Walnut, Henna Walnut, Natural Walnut, and Designer White.
- › 15 Day Quick Ship promotion is based on orders placed on Friday by 9:00 a.m. EST. Orders placed other than this day will result in a 16-20 day lead time. All orders are scheduled for Friday ship dates.
- › All 15 Day Quick Ship orders are subject to inventory levels and credit approval.

Guest - Cosmo- Quick Ship

Cosmo Guest Chair
Fully Upholstered Back

[Click here to view statement of line](#)



1 Model COS2332FUB39

w" x d" x h"
24.5 x 23.75 x 32.5
Arm Height 24 -3/4"
Seat Height 18"
Inside Seat Depth 19 -1/2"
Inside Seat Width 19"

COM	COL	1	2	3	4	5	6	7	8	9	10	11/L1	12	13/L2
1066	1103	1122	1150	1178	1206	1234	1262	1290	1318	1346	1374	1402	1430	1486

Upholstery Requirements
Fabric yds: 1.5 Leather Sq. Ft.: 27
Carton Weight: 25

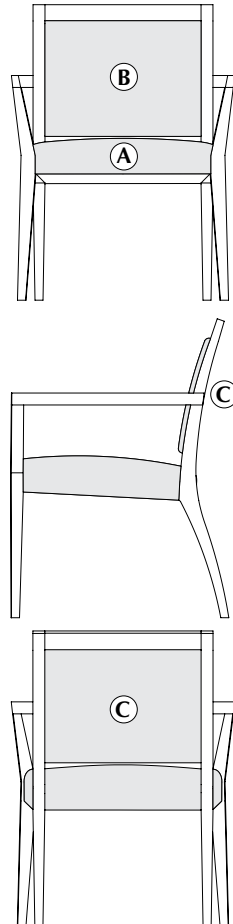
2 Select Finish

[Click to view finishes](#)

WAC Amber Cherry
WIC Crimson Cherry
WHC Honey Cherry
WOC KoKo Cherry
WAM Alabaster Maple
WCM Clear Maple
WMO Mocha Oak
WNO Natural Oak
WSO Salted Oak
WOW Clear Walnut
WEW Executive Walnut
GWG Gunstock Walnut
WBW Henna Walnut
WSW Smokey Walnut
WNW Natural Walnut
WWP Designer White
SSL Skyline Walnut Paint
SSM Seattle Mist Paint
SNA Narvik Ash
TSTV Studio Teak Walnut
TBCO Baby's Cheek
TBSW Brown Sugar
TOBW Organic Brown

3 Combination Fabrics

[Click to view finishes](#)



DARRAN is pleased to offer customers the design freedom of combination fabrics. When using fabric, vinyl or leather combinations, pricing/yardage requirements will be as follows:

A Seat 1 yd(s).
B Inside Back 0.25 yd(s).
C Outside Back 0.25 yd(s).

- When combining two materials of the same grade, pricing will be specified grade + 5%
- If combining two materials of different grades or leather/fabric combination, use the highest grade/price + 5%
- If using COM or COL, pricing will be COM or COL + 5%.
- If both COM + COL are used in combination, use COL + 5%.

Product Features

- Frame is constructed of kiln-dried European beech, PEFC Certified sustainable yield, perpetuating premium quality and durability.
- Fully Upholstered Back
- Joints are securely fastened with mortise and tenon joinery as well as corner block construction.
- MAS IAQ Certified
- Open Arms
- Seat cushions are made of high resiliency foam with proper density to give comfort and support
- Seat rails are reinforced with tenon and groove corner blocks and cleats.
- Seat suspension is constructed of 3/4" thick Baltic Birch plywood.
- Sheet webbing
- Upholstered Seat